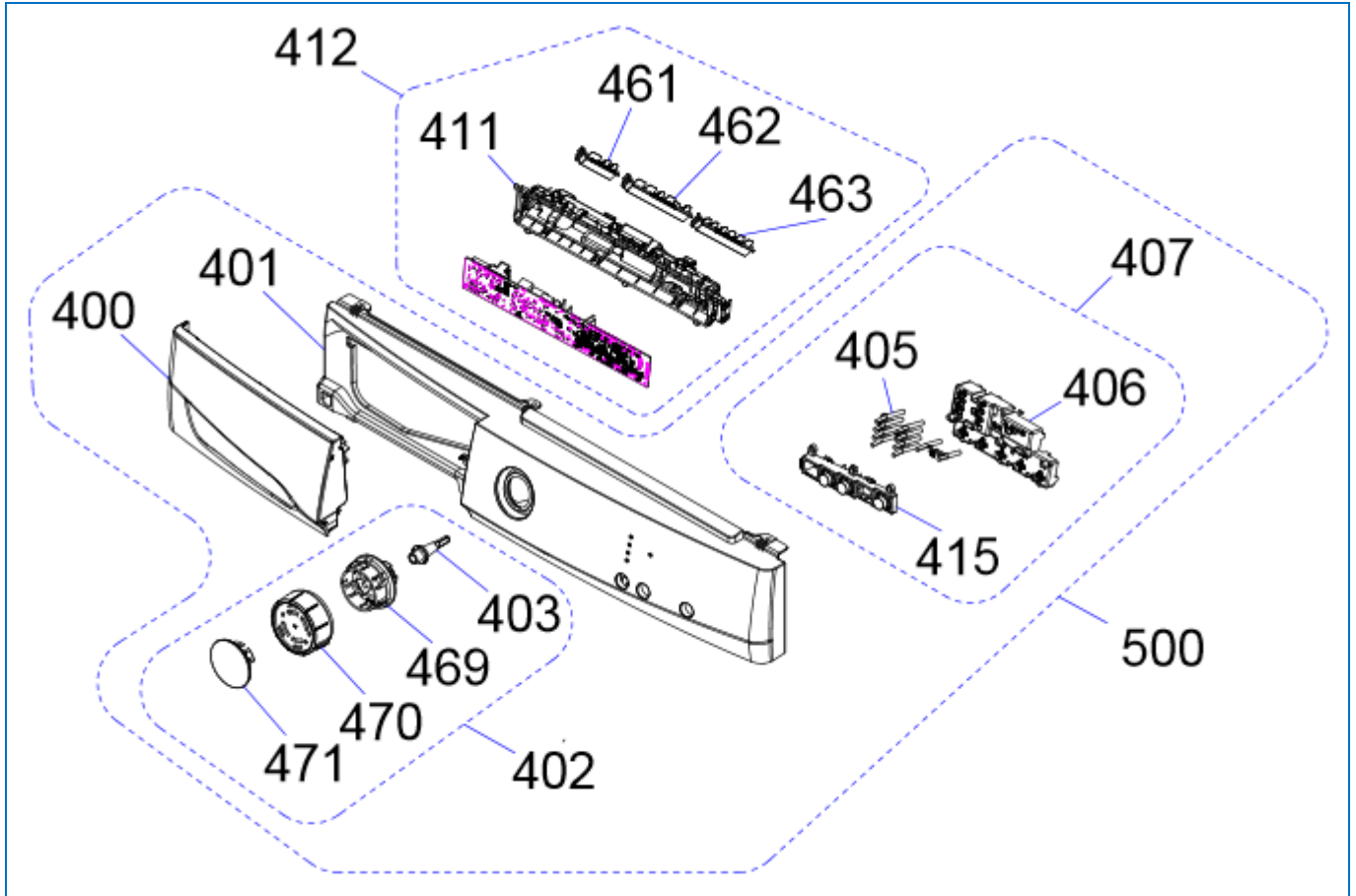


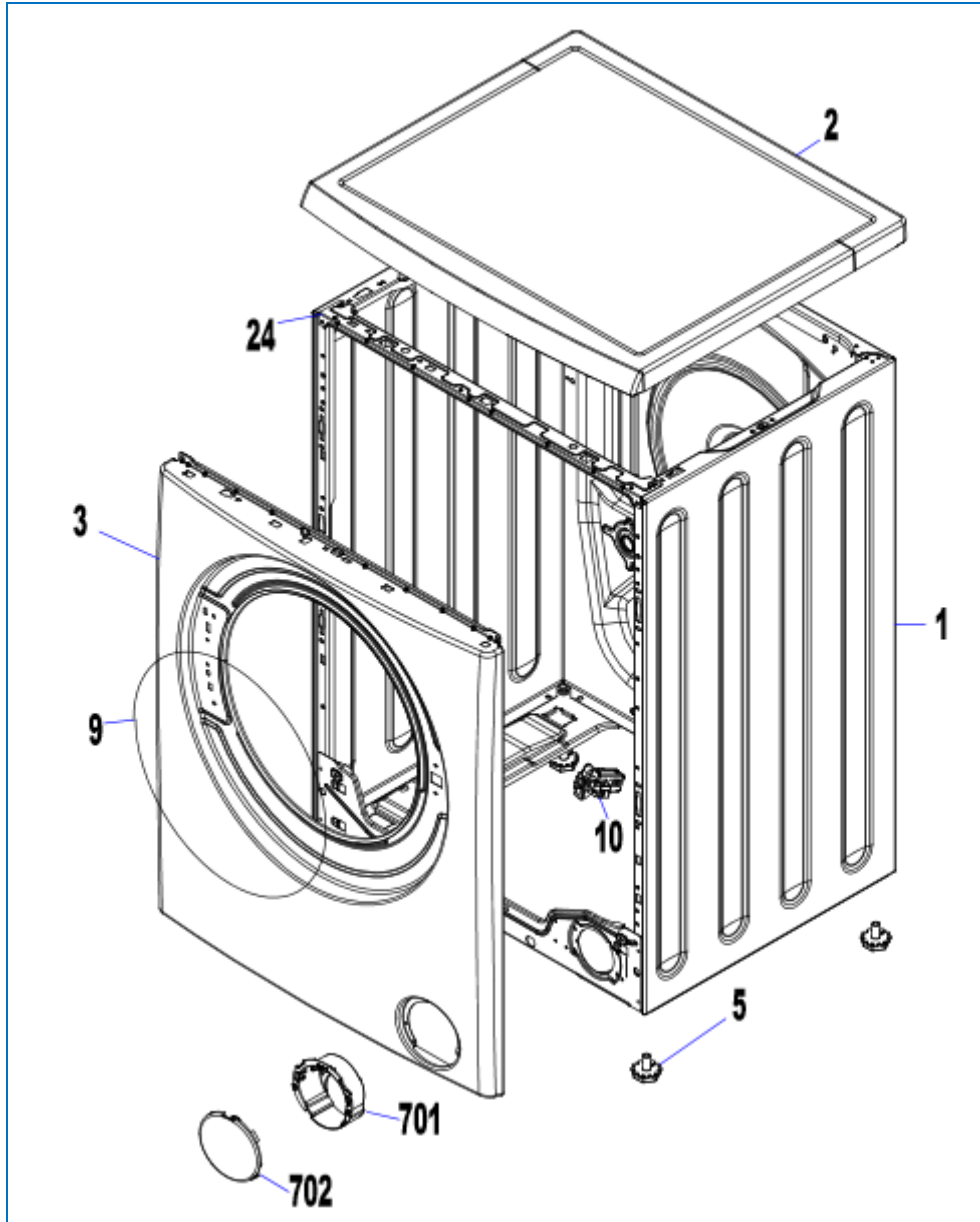
**CONTROL PANEL PARTS**



NO	PART NAME	QUANTITY
400	DETERGENT DRAWER COVER	1
401	CONTROL PANEL	1
402	PR. ADJUSTMENT KNOB GR	1
403	PROGRAM ADJUSTMENT SHAFT	1
405	LIGHT GUIDE	1
406	CARD BOX	1
407	BUTTON-LIGHT GUIDE GROUP	1
411	PCB BOX	1
412	ELECTRONIC CARD GROUP	1
415	SELECTION BUTTONS	1
461	PCB SOCKET HOLDER PLASTIC F1	1
462	PCB SOCKET HOLDER PLASTIC F2	1
463	PCB SOCKET HOLDER PLASTIC F3	1
469	PROGRAM ADJ. INSERT	1
470	PROGRAM ADJ. KNOB	1
**471	**PROGRAM ADJ. KNOB COVER	1
500	CONTROL PANEL GROUP	1

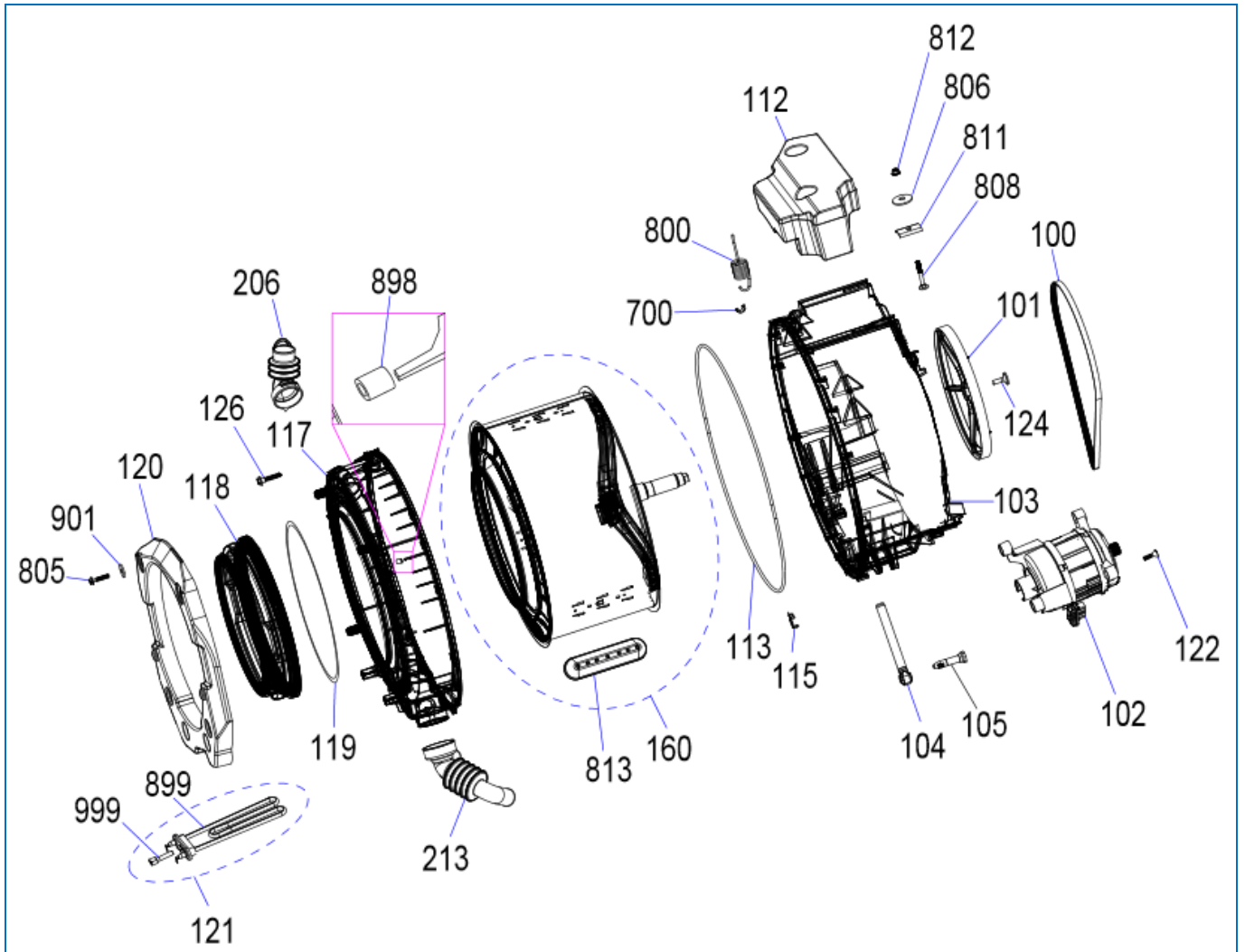
\*\* This spare part is optional and depends on agreed specifications. Therefore you may not find this part in product's spare part list.

**FRONT PANEL PARTS**



NO	PART NAME	QUANTITY
1	BODY GROUP PAINTED	1
2	UPPER TRAY GROUP	1
3	FRONT PANEL GROUP	1
5	ADJUSTABLE FEET GROUP	4
9	BODY-GASKET CLAMP	1
10	DOOR LOCK	1
701	PUMP COVER HOUSING	1
702	PUMP COVER	1

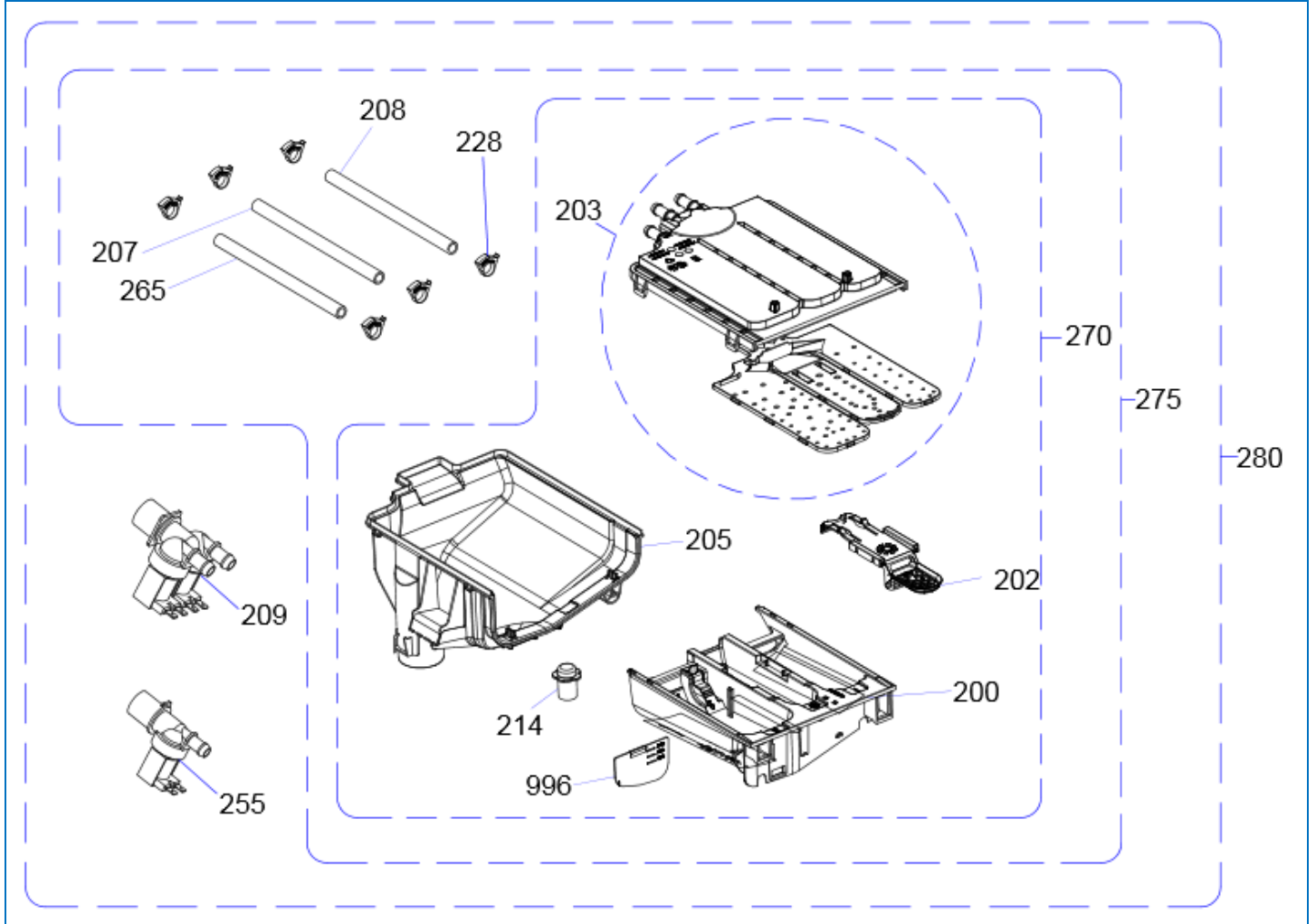
**WASHING GROUP PARTS**



NO	PART NAME	QUANTITY
100	BELT	1
101	DRIVEN PULLEY	1
102	MOTOR	1
103	REAR TUB GROUP	1
104	SHOCK ABSORBER	2
105	SHOCK ABSORBER PIN	2
112	UPPER COUNTERWEIGHT	1
113	TUB SEAL	1
115	RESISTANCE FIXING WIRE (INSIDE TUB)	1
117	FRONT TUB	1
118	TUB BELLOWS SEAL	1
119	TUB-GASKET CLAMP	1
120	FRONT CONCRETE WEIGHT	1
121	RESISTANCE GROUP	1
122	SCREW FIXING MOTOR-TUB (COUNTERSUNK HEAD BOLT TORX)	4
124	BOLT FIXING PULLEY-DRUM SHAFT (COUNTERSUNK HEAD BOLT M8X29)	1
126	SCREW FIXING FRONT TUB-REAR TUB (HEXAGON HEAD BOLT PT TYPE 2)	4
160	DRUM GROUP	1
206	TUB ENTERANCE WITH BELLOW HOSE	1
213	TUB EXIT WITH BELLOW HOSE	1
700	TUB SPRING PLASTIC (TUB SIDE-TUB HANGER SPRING PART-2)	2
800	TUB SPRING	2
805	SCREW FIXING FRONT COUNTERWEIGHT-FRONT TUB (HEXAGON HEAD BOLT RAKB)	4
806	WASHER BETWEEN UPPERCOUNTERWEIGHT AND NUT (PLAIN WASHER)	2
808	BOLT FIXING UPPER COUNTERWIGHT-REAR TUB (MUSHROOM HEAD SQUARE NECK BOLT )	2
811	UPPER CONCRETE SUPPORT BRACKET	2
812	NUT FIXING UPPER COUNTERWEIGHT-REAR TUB (HEX.NUT WITH FLANGE SERRATED)	2
813	PLASTIC LIFTER	3
**898	**PSW HOSE MOUNTING RUBBER	2
899	RESISTANCE WITHOUT NTC	1
901	WASHER BETWEEN FRONT COUNTERWEIGHT AND SCREW FIXING IT (PLAIN WASHER)	4
999	NTC	1

\*\* This spare part depends on front tub type. Some products does not have this spare part due to their front tub design.

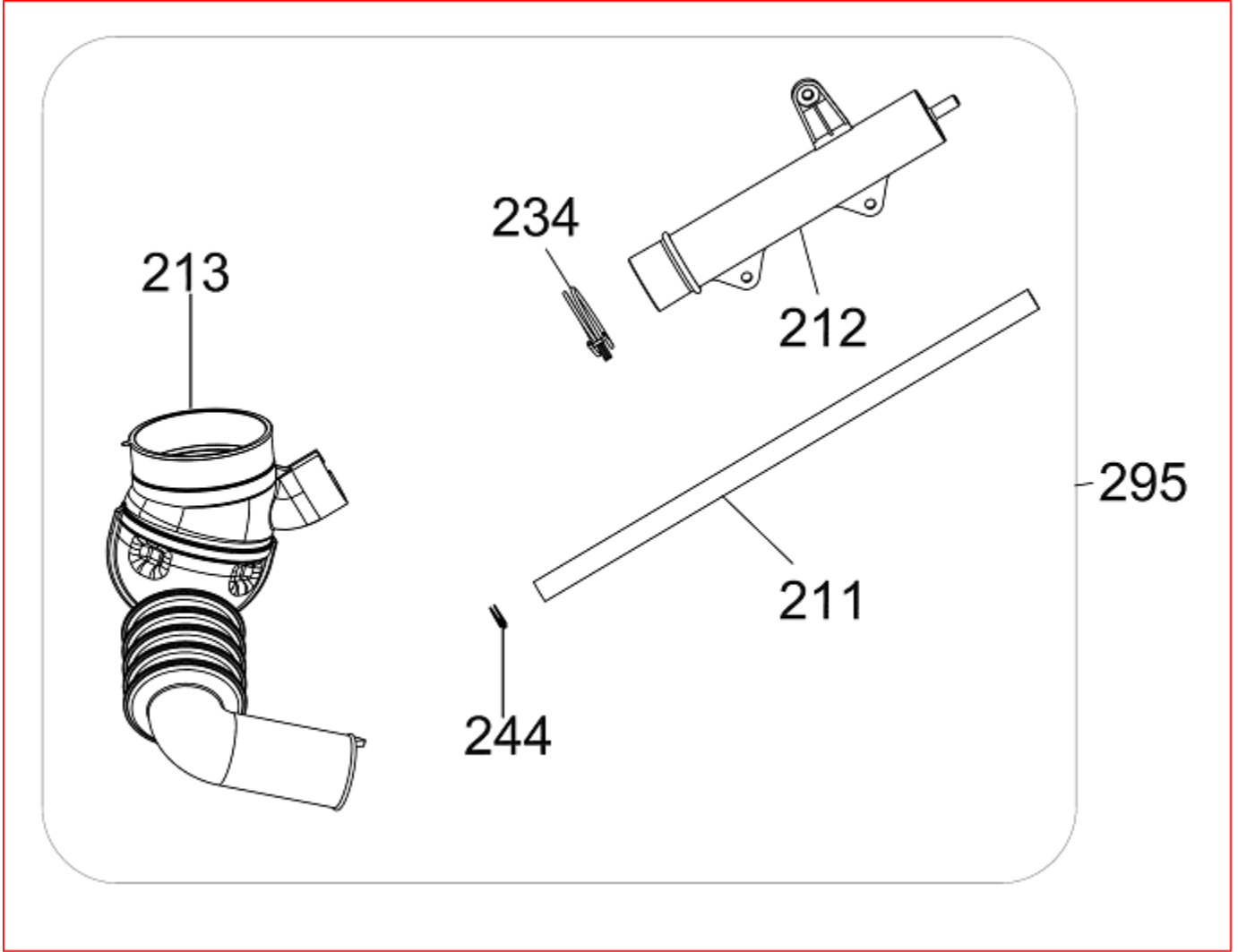
**DETERGENT DRAWER GROUP**



NO	PART NAME	QUANTITY
200	DETERGENT DRAWER	1
202	SIPHON COVER	1
203	WATER DISTRIBUTION PLATE GROUP	1
205	DETERGENT DRAWER HOUSING	1
207	VALVE-DETERGENT BOX HOSE	1
208	VALVE-DETERGENT BOX HOSE	1
**265	**VALVE-DETERGENT BOX HOSE	1
209	VALVE(TWO EXIT)	1
**255	**VALVE(ONE EXIT)	1
214	DETERGENT DRAWER LOCKING PART	1
228	PLASTIC HOSE CLAMP	6
996	LIQUID DETERGENT LEVEL PLATE	1
270	DETERGENT BOX GROUP (WITHOUT HOSES & VALVE(S))	-
275	DETERGENT BOX GROUP (WITH HOSES & CLAMPS, WITHOUT VALVE(S))	-
280	DETERGENT BOX GROUP (FULL)	-

\*\* Those spare parts are only available for models with hot water inlet.

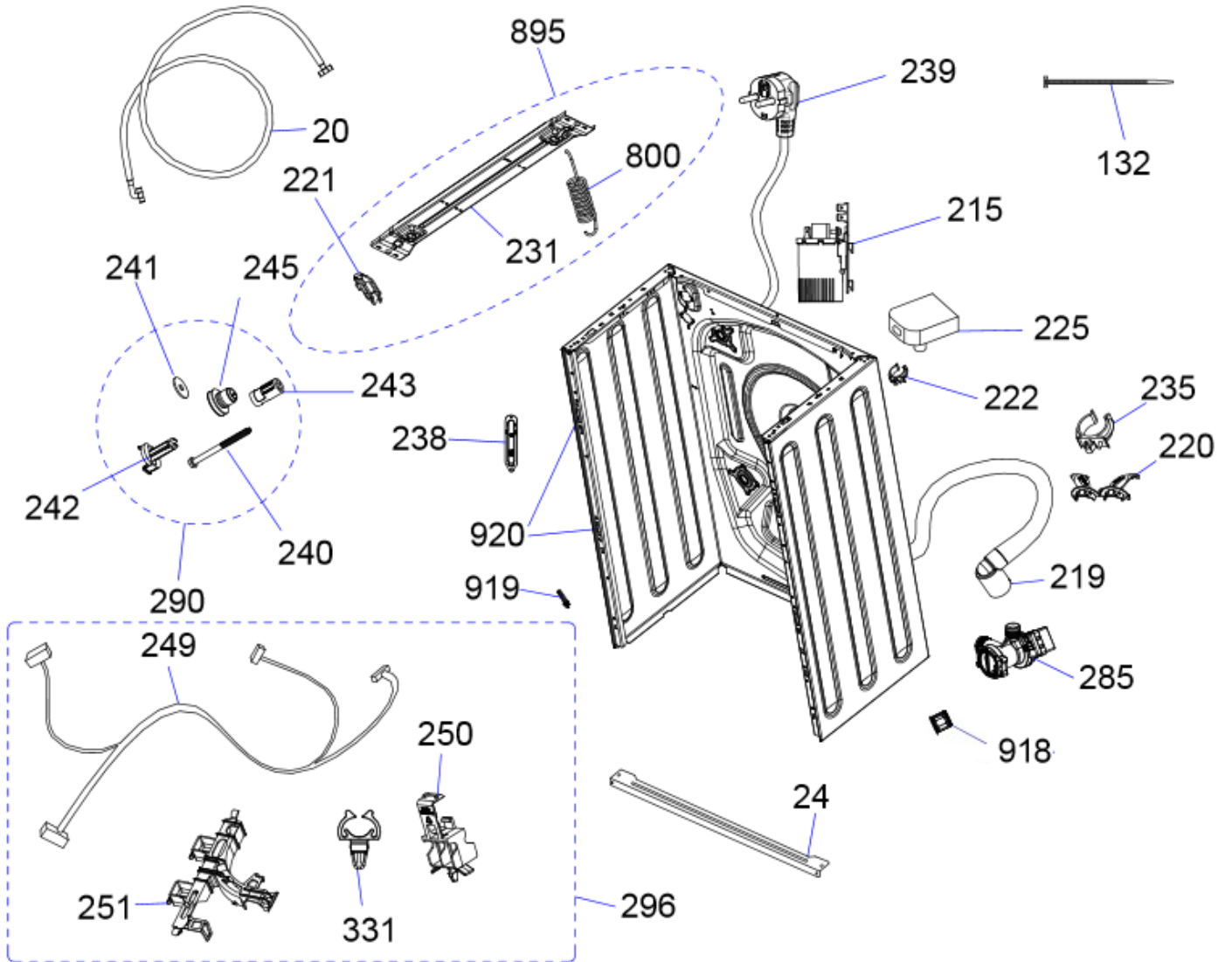
**PRESSURE SWITCH HOSE GROUP**



NO	PART NAME	QUANTITY
213	TUB EXIT WITH BELLOW HOSE	1
212	PRESSURE SWITCH WATER RESERVOIR	1
211	PRESSURE SWITCH HOSE	1
234	HOSE CLAMP Ø32,7	1
244	HOSE CLAMP Ø9,6	1
295	PRESSURE SWITCH HOSE GROUP	1

213-212-211-234-244----- PRESSURE SWITCH HOSE GROUP

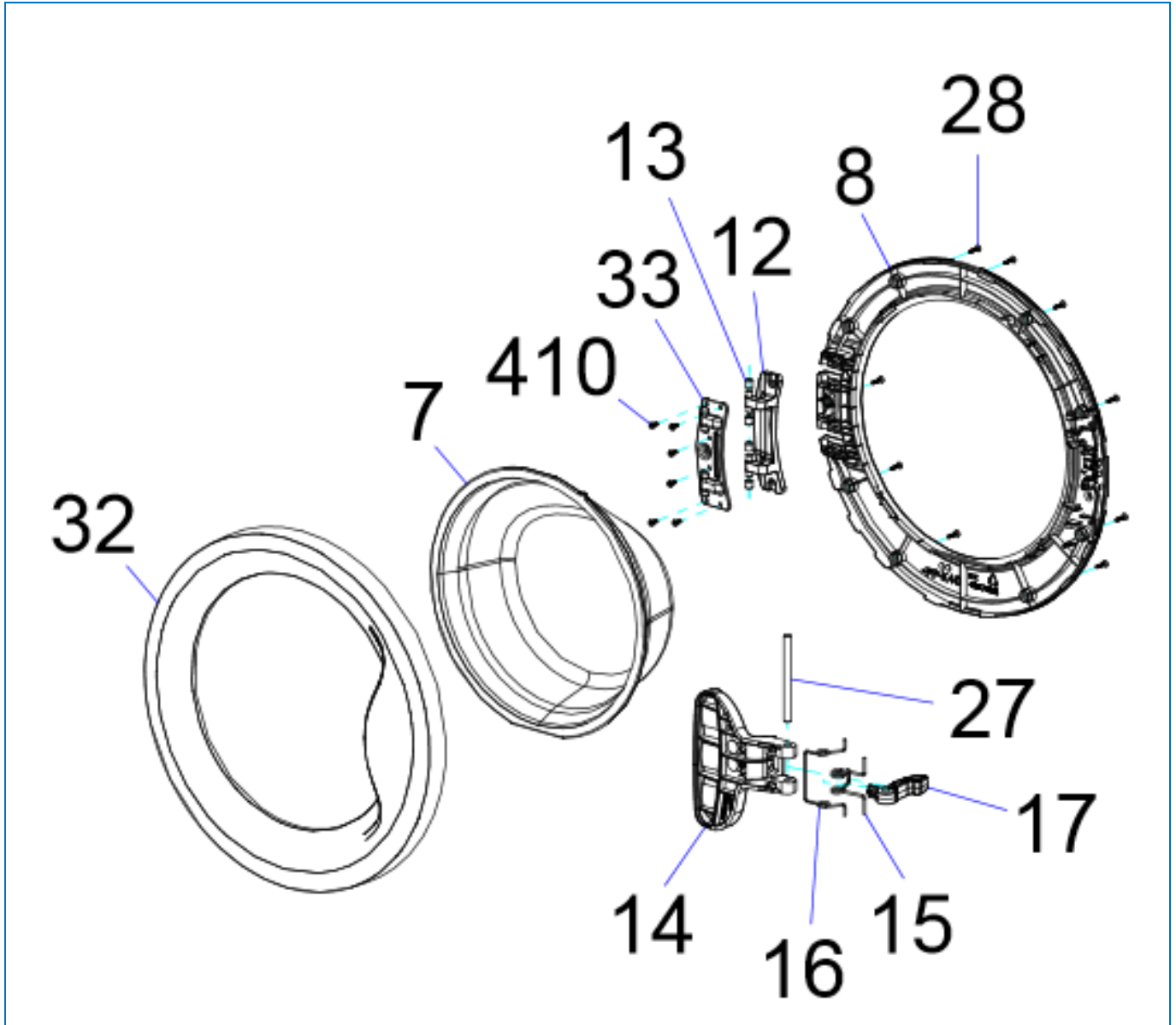
**BODY GROUP PARTS**



NO	PART NAME	QUANTITY
20	WATER INLET HOSE	1
24	FRONT SUPPORT BRACKET	1
132	CABLE TIE	-
285	PUMP GROUP	1
220	DRAIN HOSE ROUTER PLASTIC	1
219	DRAIN HOSE	1
225	PRESSURE SWITCH	1
215	EMI FILTER	1
296	CABLE GROUP	1
249	CABLE HARNESS	1
250	CABLE HARNESS HOLDER PLASTIC	1
251	CABLE HOLDER & ROUTER	1
331	CABLE HOLDER WITH PEG (LOCKING WIRE SADDLE)	1
895	SPRING HANGER GROUP	1
800	HANGER SPRING	2
221	HANGER SPRING HOUSING PLS.	2
231	SPRING HANGER BRACKET	1
235	DRAIN HOSE HOLDING PLS	2
239	POWER CORD GROUP	1
222	PRESSURE SWITCH MOUNTING CLIP	1
238	SPEED CONTROL HOLE STOPPER	1
290	TRANSPORT SCREW GROUP	4
245	TRANSPORT SCREW EPDM	4
242	TRANSPORT SCREW PLASTIC A	4
243	TRANSPORT SCREW PLASTIC B	4
240	TRANSPORT SCREW	4
241	WASHER BETWEEN TRANSPORT SCREW PLASTIC A AND TRANSPORT SCREW (PLAIN WASHER)	4
918	PUMP FILTER	1
919	HOSE CLAMP Ø8,6	1
920	FRONT PANEL DROP FIXING PLASTIC	4

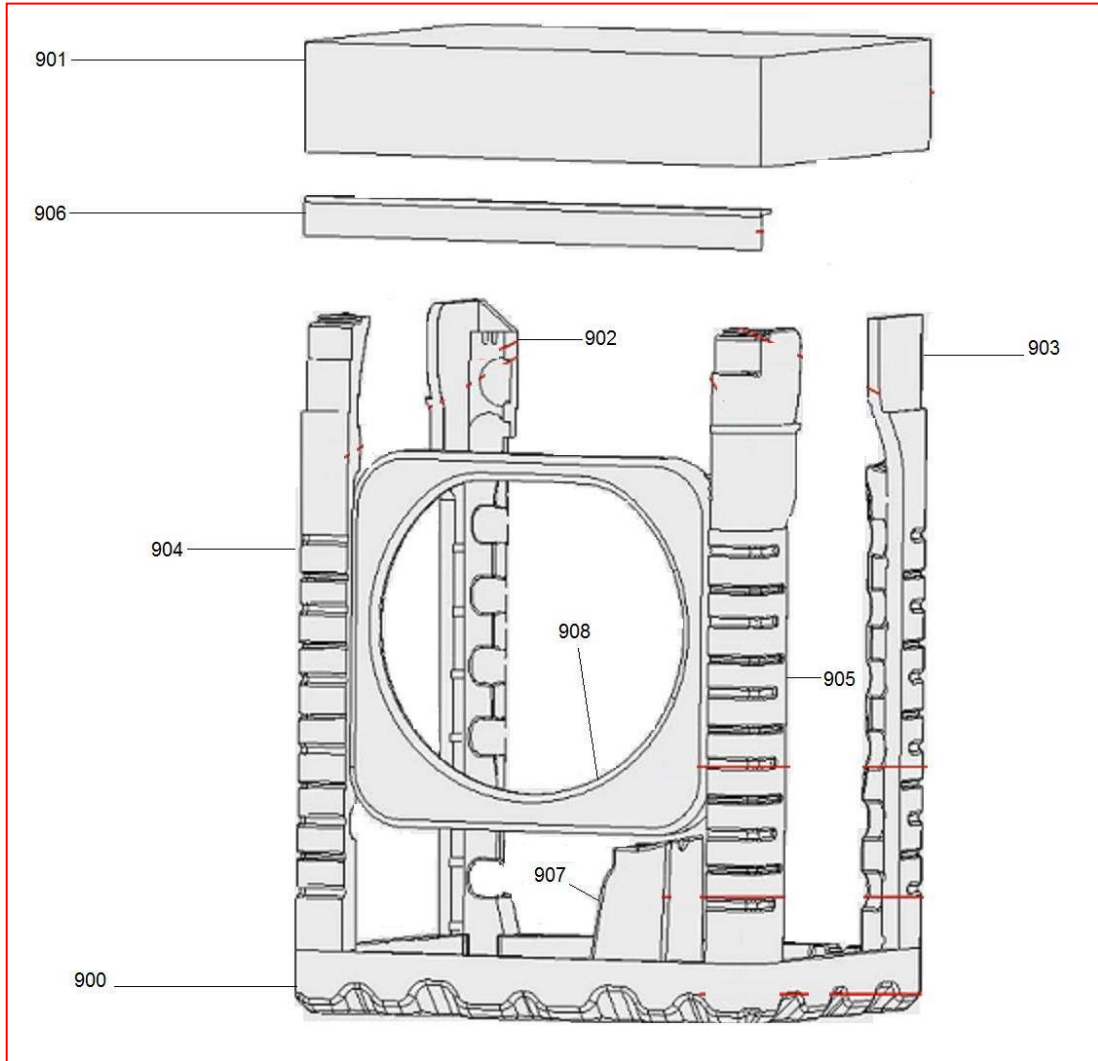


**DOOR GROUP**



NO	PART NAME	QUANTITY
7	DOOR GLASS	1
8	INNER DOOR PLASTIC	1
12	HINGE	1
13	HINGE BUSH	4
14	DOOR HANDLE	1
15	HOOK SPRING	1
16	HANDLE SPRING	1
17	DOOR HOOK	1
27	HANDLE PIN	3
28	SCREW 3,5X16 PAN HEAD WITH COLLAR UNDER HEAD SERRATED	9
32	OUTER DOOR PLASTIC	1
33	DOOR HINGE SUPPORT SHEET	1
410	SCREW 4X12 PAN HEAD WITH COLLAR UNDER HEAD SERRATED	6
50	PORTHOLE GROUP (all parts above)	1

**PACKAGING GROUP**



NO	PART NAME	QUANTITY
900	BOTTOM STYROFOAM	2
901	TOP CARTON	1
902	REAR STYROFOAM(LEFT)	1
903	REAR STYROFOAM(RIGHT)	1
904	FRONT STYROFOAM LEFT	1
905	FRONT STYROFOAM RIGHT	1
906	CORNER CARDBOARD	1
907	TUB SUPPORT STYROFOAM	1
908	PORTHOLE PRO. STYROFOAM	1

**ACCESSORIES**



995



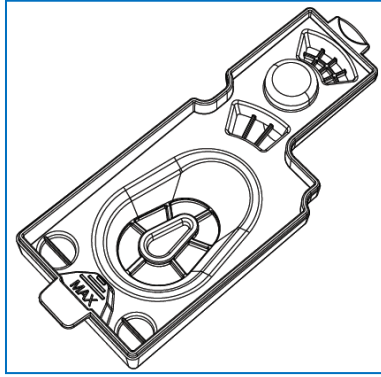
996



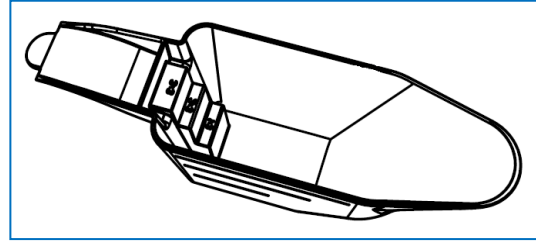
997



998



1901



1900

NO	PART NAME	QUANTITY
995	ENERGY LABEL	1
996	LIQUID DETERGENT LEVEL PLATE	1
997	DRAIN HOSE COAT RACK	1
998	TRANSPORT SCREW STOPPER	4
*1900	*DETERGENT POWDER SCALE	*
*1901	*LIQUID DETERGENT RESERVOIR	*

\* This is an optional accessory, the product may not have it by default depending on agreed specifications, and still it can be ordered as a spare part.