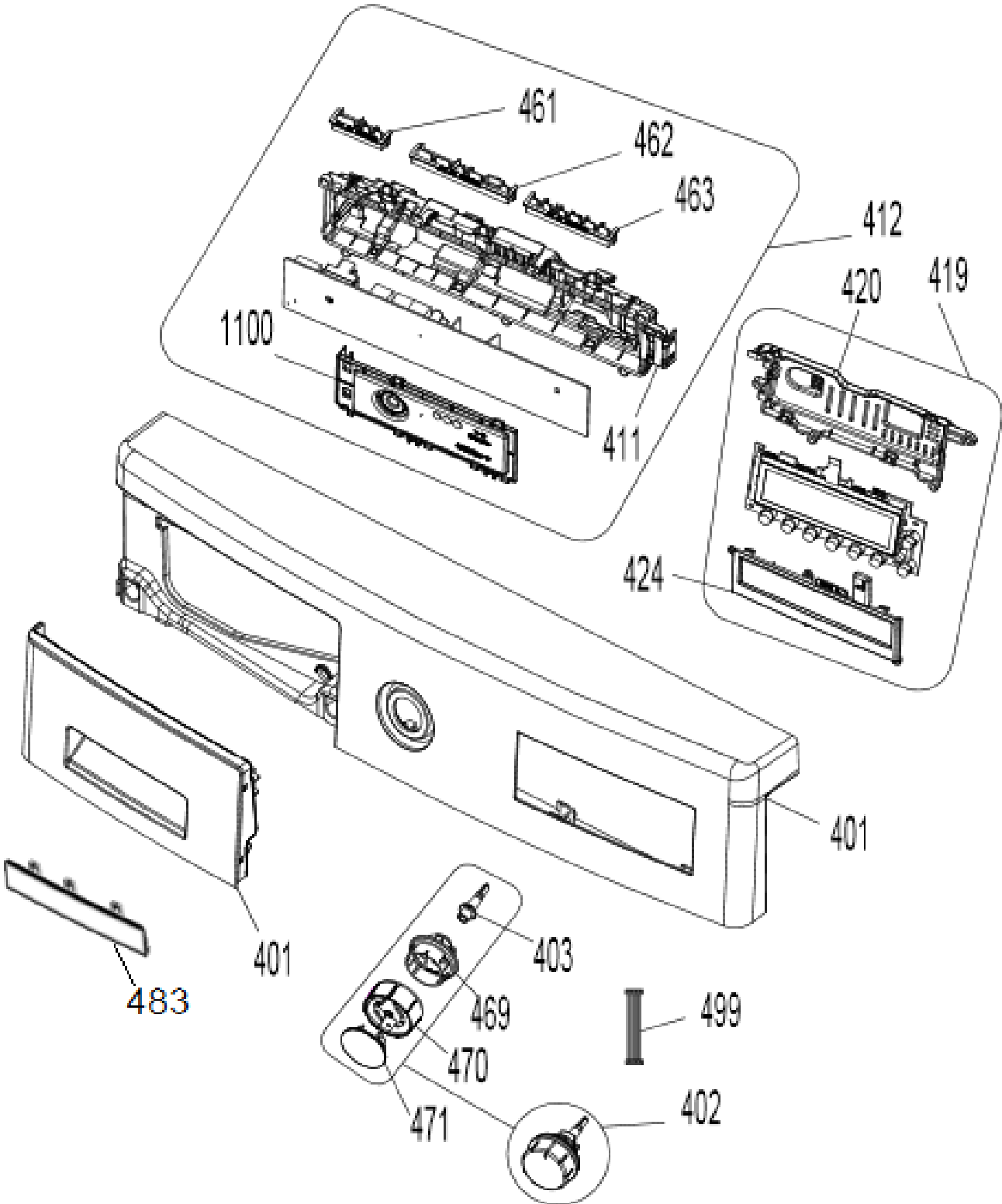


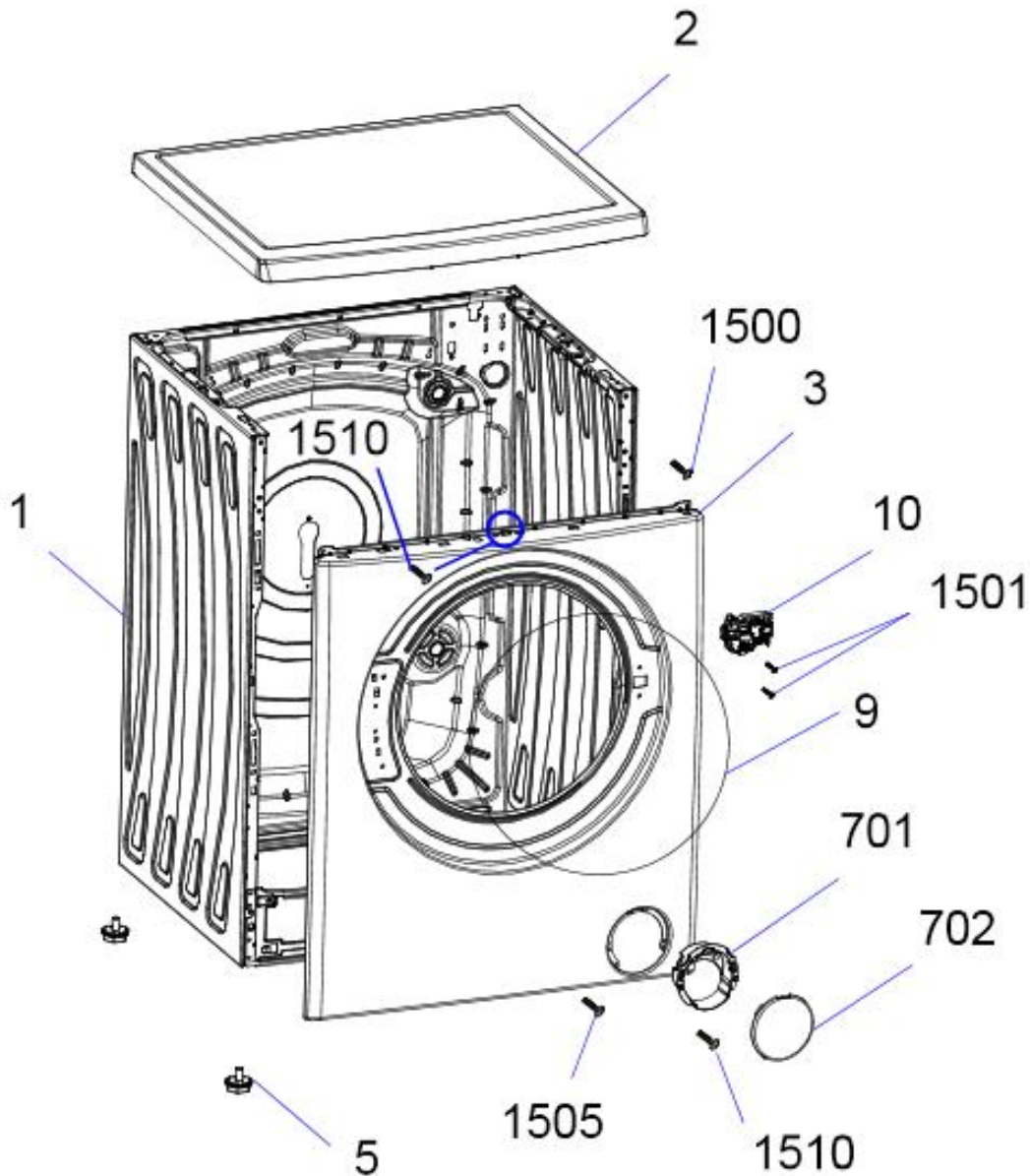
CONTROL PANEL PARTS



FL PYTHON TJ EXPLODED VIEW

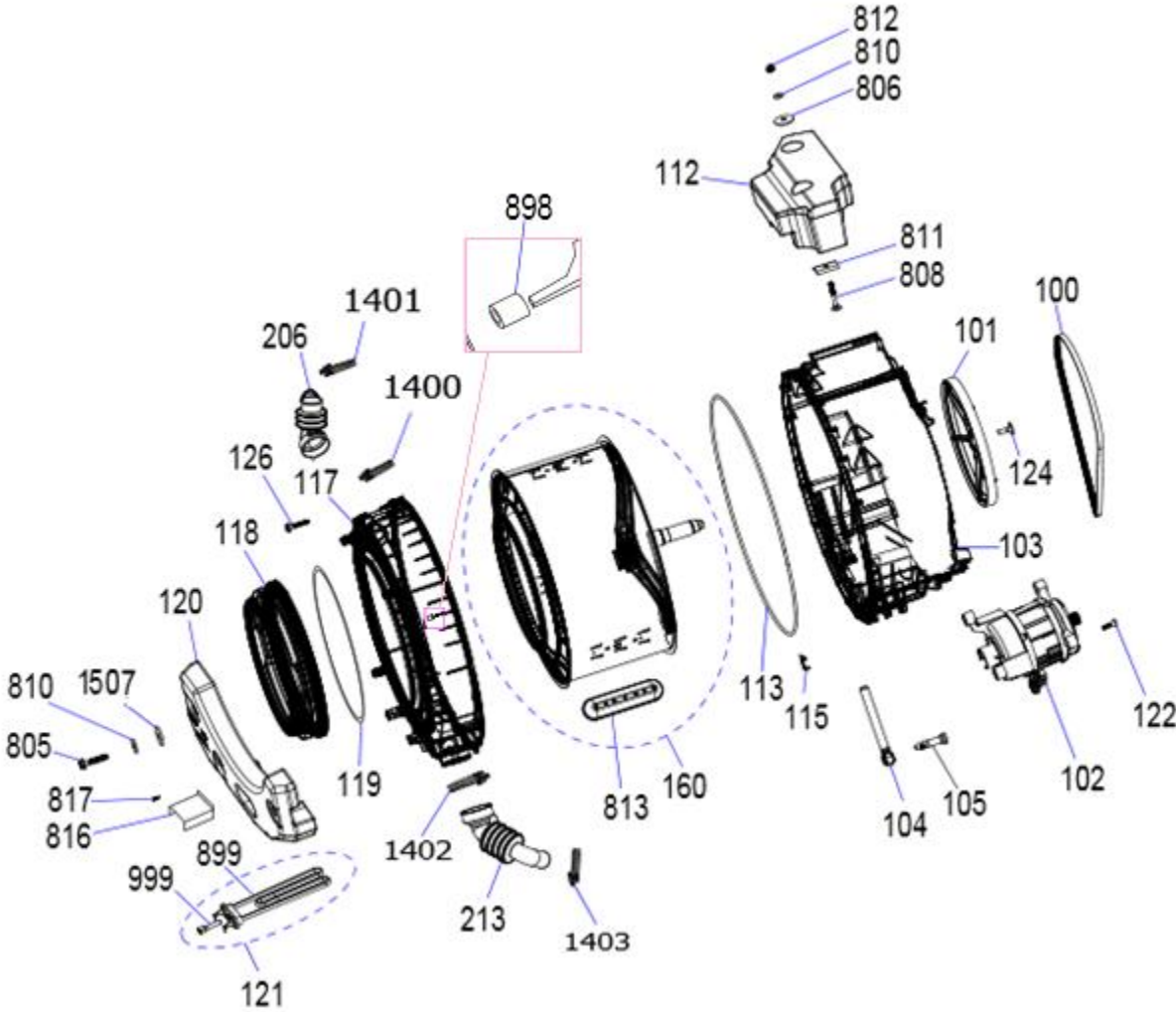
| NO | PART NAME | QUANTITY |
|------|-------------------------------|----------|
| 400 | DETERJAN DRAWER COVER | 1 |
| 401 | CONTROL PANEL | 1 |
| 402 | PR.ADJ.KN GR | 1 |
| 403 | PROGRAMME ADJUSTMENT SHAFT | 1 |
| 404 | PROGRAM SELECTION KNOB INSERT | 1 |
| 411 | PCB BOX | 1 |
| 412 | ELECTRONIC CARD GR. | 1 |
| 419 | LCD CARD GR | 1 |
| 420 | LCD CARD | 1 |
| 422 | FL CARD BOX | 1 |
| 424 | LCD FRAME | 1 |
| 461 | SOCKET HOLDER-F1 | 1 |
| 462 | SOCKET HOLDER-F2 | 1 |
| 463 | SOCKET HOLDER-F3 | 1 |
| 470 | PR.SELECTION KNOB BODY | 1 |
| 471 | PR.SELECTION KNOB COVER | 1 |
| 483 | DET.DRAW.COV.INSERT | 1 |
| 499 | LCD COMMUNICATION CABLE | 1 |
| 500 | CONTROL PANEL GR. | 1 |
| 1100 | PCB BOX REAR COVER | 1 |

FRONT PANEL PARTS



| REF. NO | PART NAME | QTY |
|---------|--|-----|
| 1 | BODY GROUP PAINTED | 1 |
| 2 | UPPER TRAY GROUP | 1 |
| 3 | FRONT PANEL GROUP | 1 |
| 5 | ADJUSTABLE FEET GR. | 4 |
| 9 | HOUSING FRAME BELLOW CLIP-PHYTON | 1 |
| 10 | DOOR LOCK | 1 |
| 20 | WATER INLET HOSE | 1 |
| 701 | PUMP COVER HOUSING | 1 |
| 702 | PUMP COVER | 1 |
| 1500 | ST 4,2X9,5 TRTSB | 2 |
| 1501 | ISO 7049 ST 4,2X16 TORX | 2 |
| 1505 | ST 4,8X9,5 PAN HE.WITH COL.TORX UN.SER.E | 2 |
| 1510 | SCREW 4X12 TORX PAN HE.W.COL.UND.HE.SER. | 1 |

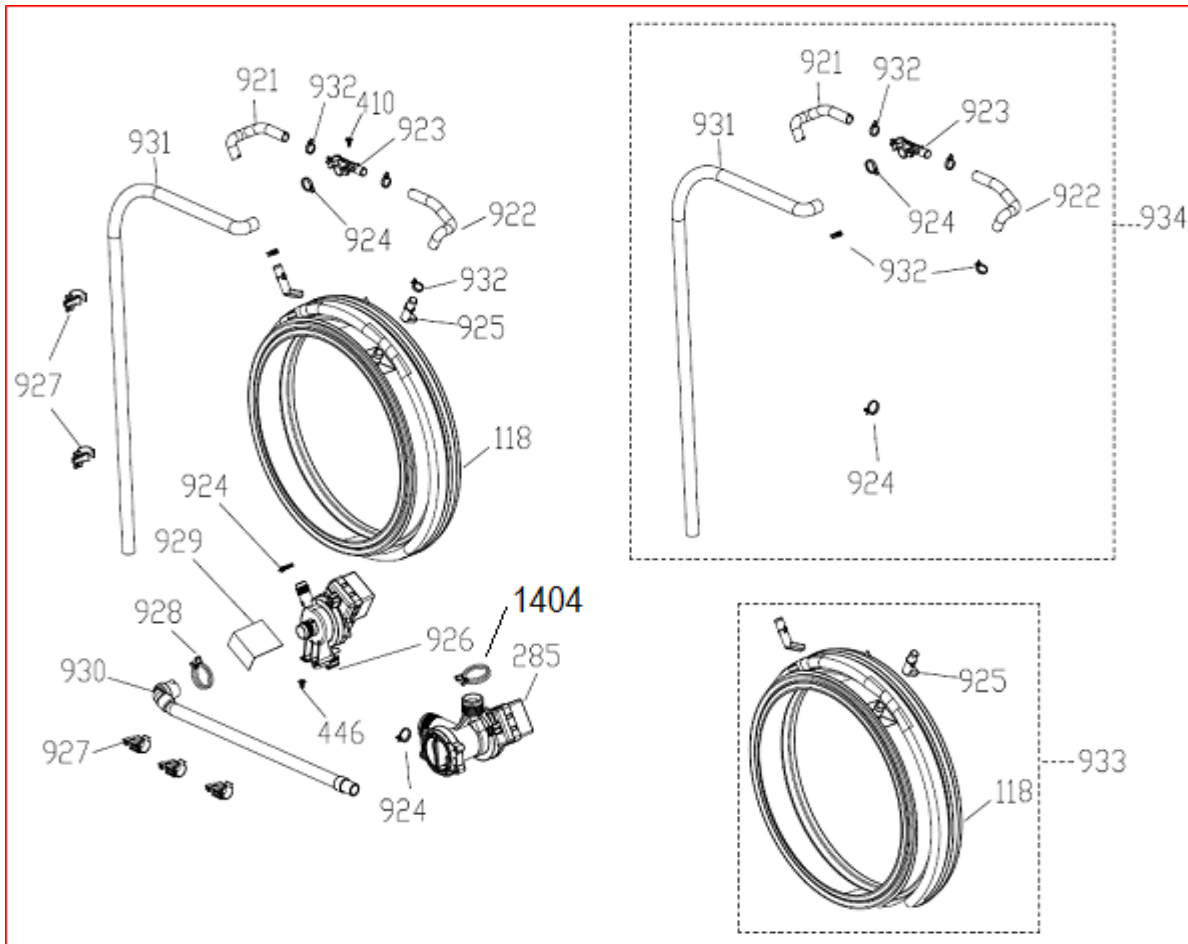
WASHING GROUP PARTS



FL PYTHON TJ EXPLODED VIEW

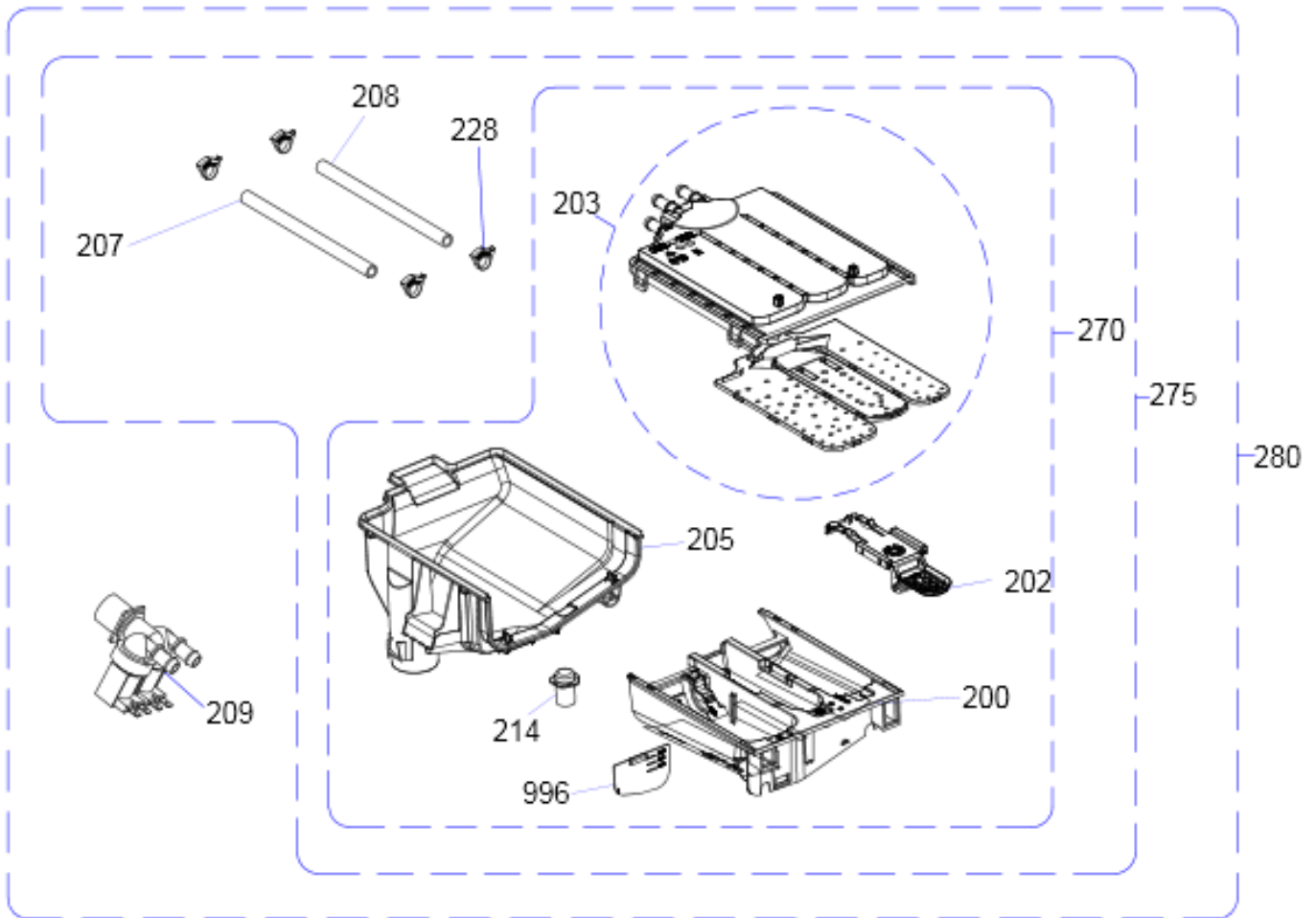
| REF. NO | PART NAME | QTY |
|---------|---|-----|
| 103 | REAR TUB GROUP | 1 |
| 117 | FRONT TUB | 1 |
| 160 | DRUM GROUP | 1 |
| 102 | MOTOR | 1 |
| 113 | TUB SEAL | 1 |
| 101 | DRIVEN PULLEY | 1 |
| 100 | BELT | 1 |
| 122 | SCREW FIXING MOTOR-REAR TUB ASSY. (COUNTERSUNK HEAD BOLT 8X28 TORX) | 4 |
| 206 | TUB ENTERANCE WITH BELLOW HOSE | 1 |
| 118 | TUB BELLOWS SEAL | 1 |
| 126 | BOLT FIXING FRONT TUB-REAR TUB ASSY. (HEXAGON HEAD BOLT 6X30 PT) | 19 |
| 805 | HEXAGON HEAD BOLT 10 X 52 | 4 |
| 810 | WASHER USED AT COUNTERWEIGHT-TUB ASSYS. (CONICAL SPRING WASHER 8.4X18X2 (DIN 6796) (SAFETY)) | 6 |
| 105 | SHOCK ABSORBER PIN | 4 |
| 119 | TUB GASKET CLIP | 1 |
| 120 | FRONT CONCRETE WEIGHT | 1 |
| 121 | RESISTANCE GR | 1 |
| 999 | NTC | 1 |
| 899 | RESISTANCE WITHOUT NTC | 1 |
| 115 | RESISTANCE FIXING WIRE | 1 |
| 104 | SHOCK ABSORBER | 2 |
| 213 | TUB EXIT BELLOW HOSE WITH BALL | 1 |
| 124 | BOLT FIXING DRIVEN PULLEY-DRUM SHAFT ASSY. (37020184 SCREW M8x29 THB) | 1 |
| 808 | MUSHROOM HEAD SQUARE NECK BOLT M 8X65 | 2 |
| 806 | PLAIN WASHER 8.4X28X3 | 2 |
| 811 | UPPER COUNTERWEIGHT BOLT SUPPORT SHEET | 2 |
| 812 | NUT FIXING UPPER COUNTERWITGHT-TUB ASSY. (HEX.NUT WITH FLANGE SERRATED M8 DIN6923) | 2 |
| 813 | PLASTIC LIFTER | 3 |
| 112 | UPPER CONCRETE WEIGHT | 1 |
| 816 | RESISTANCE PROTECTION FOIL-1-C | 1 |
| 817 | SCREW FIXING RES. PROT. FOIL-TUB ASSY. (SCREW 3,5X7PAN HEAD WITH COLAR CROSS RE.) | 2 |
| 898 | PSW HOSE MOUNTING RUBBER-10MM | 1 |
| 1400 | SCREWED HOSE CLAMP Ø65 | 1 |
| 1401 | SPRING TYPE BANT CLAMP | 1 |
| 1402 | HOSE CLAMP SCREW TYPE Ø72 | 1 |
| 1403 | HOSE CLAMP Ø38,8 | 1 |
| 1507 | WASHER USED TO FIX FRONT COUNTERWEIGHT (PLAIN WASHER 10.5X40X2.5) | 4 |

CIRCULATION GROUP



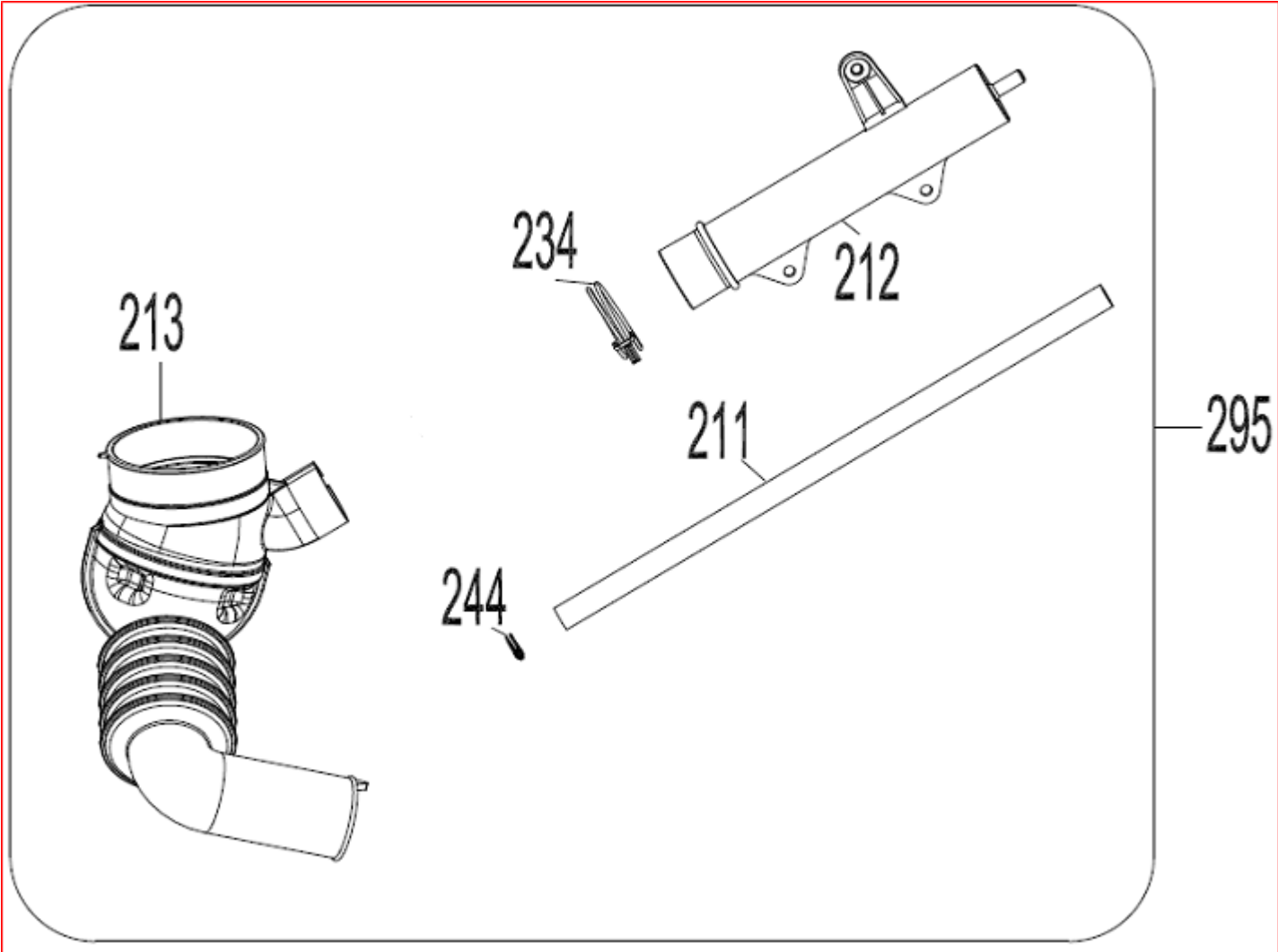
| NO | PART NAME | QUANTITY |
|------|------------------------------------|----------|
| 118 | TUB BELLOWS SEAL | 1 |
| 285 | PUMP GROUP(FILTER)(THER. PROTECT.) | 1 |
| 410 | SCREW 4X14 PAN HEAD TYPE 2 | 1 |
| 446 | ISO 7049 ST 4,2x13 TYPE 2 | 1 |
| 921 | TWIN JET HORN/LEFT | 1 |
| 922 | TWIN JET HORN/RIGHT | 1 |
| 923 | TWIN JET T-ELBOW | 1 |
| 924 | HANDCUFFS Ø20.2 | 3 |
| 925 | TWIN JET NOZZLE | 2 |
| 926 | CIRCULATION PUMP | 1 |
| 927 | TWIN JET CABLE HOSE HOLDER PLASTIC | 5 |
| 928 | HANDCUFFS Ø26.8 | 1 |
| 929 | PUMP PROTECTION FOIL-3 | 1 |
| 930 | TWIN JET HOSE_N NO:1 | 1 |
| 931 | TWIN JET HOSE_H NO:2 | 1 |
| 932 | HANDCUFFS Ø15.88 | 4 |
| 933 | PYTHON-CIRCULATION TUB GASKET GR | 1 |
| 934 | TWIN _JET HOSE GROUP | 1 |
| 1404 | HOSE CLAMP Å~35,0 | 1 |

DETERGENT DRAWER GROUP



| NO | PART NAME | QUANTITY |
|-----|--------------------------------|----------|
| 200 | DETERGENT DRAWER | 1 |
| 202 | SIPHON COVER | 1 |
| 203 | WATER DISTRIBUTION PLATE GROUP | 1 |
| 205 | DETERGENT DRAWER HOUSING | 1 |
| 207 | VALVE-DETERGENT BOX HOSE | 1 |
| 209 | VALVE(TWO EXIT) | 1 |
| 214 | DETERGENT DRAWER LOCKING PART | 1 |
| 228 | PLASTIC HOSE CLAMP | 6 |
| 996 | LIQUID DETERGENT LEVEL PLATE | 1 |
| 270 | DETERGENT BOX GROUP | 1 |
| 275 | DETERGENT BOX GROUP/HOSE | 1 |
| 280 | DETERGENT BOX GROUP/FULL | 1 |

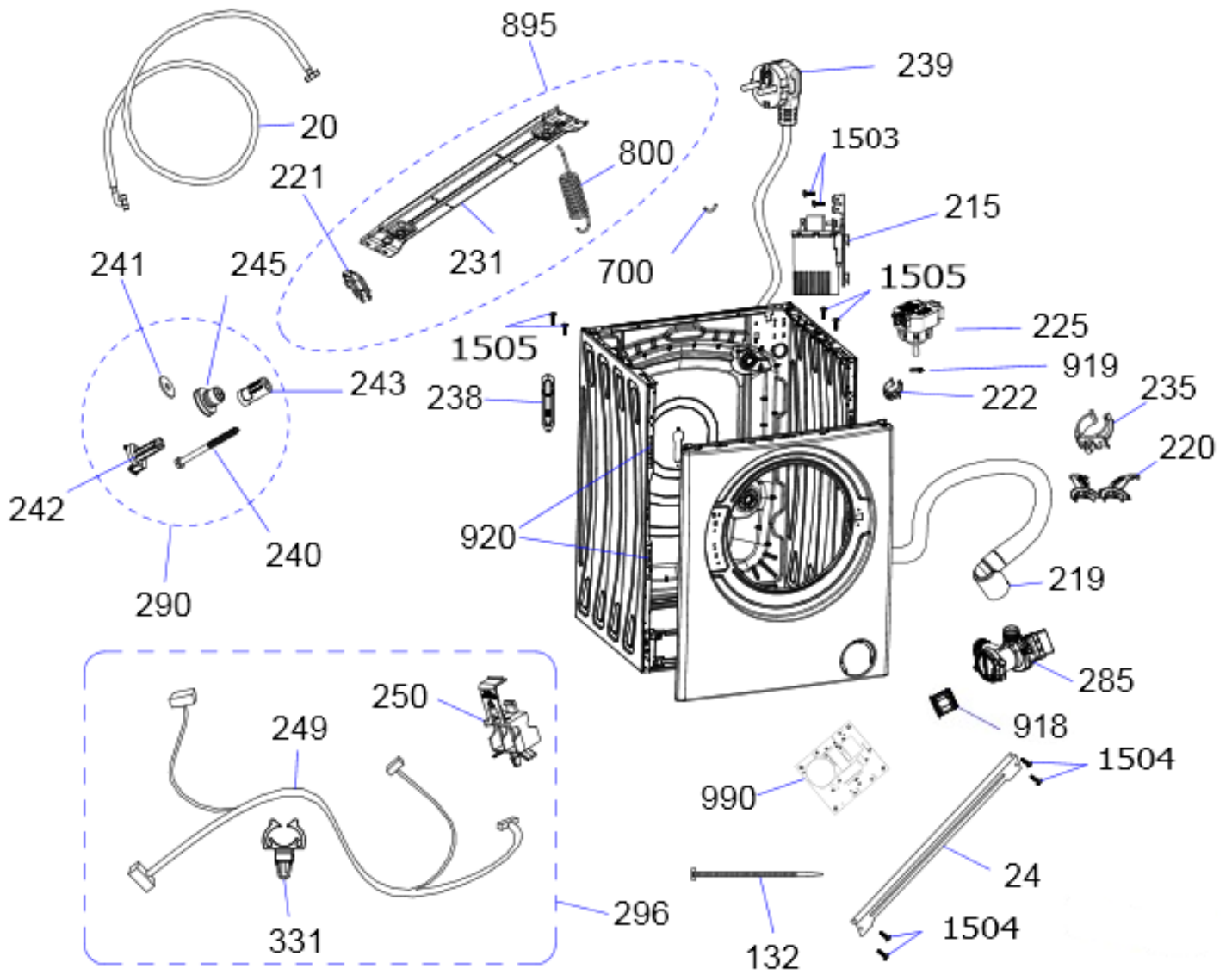
PRESSURE SWITCH HOSE GROUP



| NO | PART NAME | QUANTITY |
|-----|---------------------------------|----------|
| 213 | TUB EXIT WITH BELLOW HOSE | 1 |
| 212 | PRESSURE SWITCH WATER RESERVOIR | 1 |
| 211 | PRESSURE SWITCH HOSE | 1 |
| 234 | HOSE CLAMP Ø32,7 | 1 |
| 244 | HOSE CLAMP Ø9,6 | 1 |
| 295 | PRESSURE SWITCH HOSE GROUP | 1 |

213-212-211-234-244----- PRESSURE SWITCH HOSE GROUP

BODY GROUP PARTS

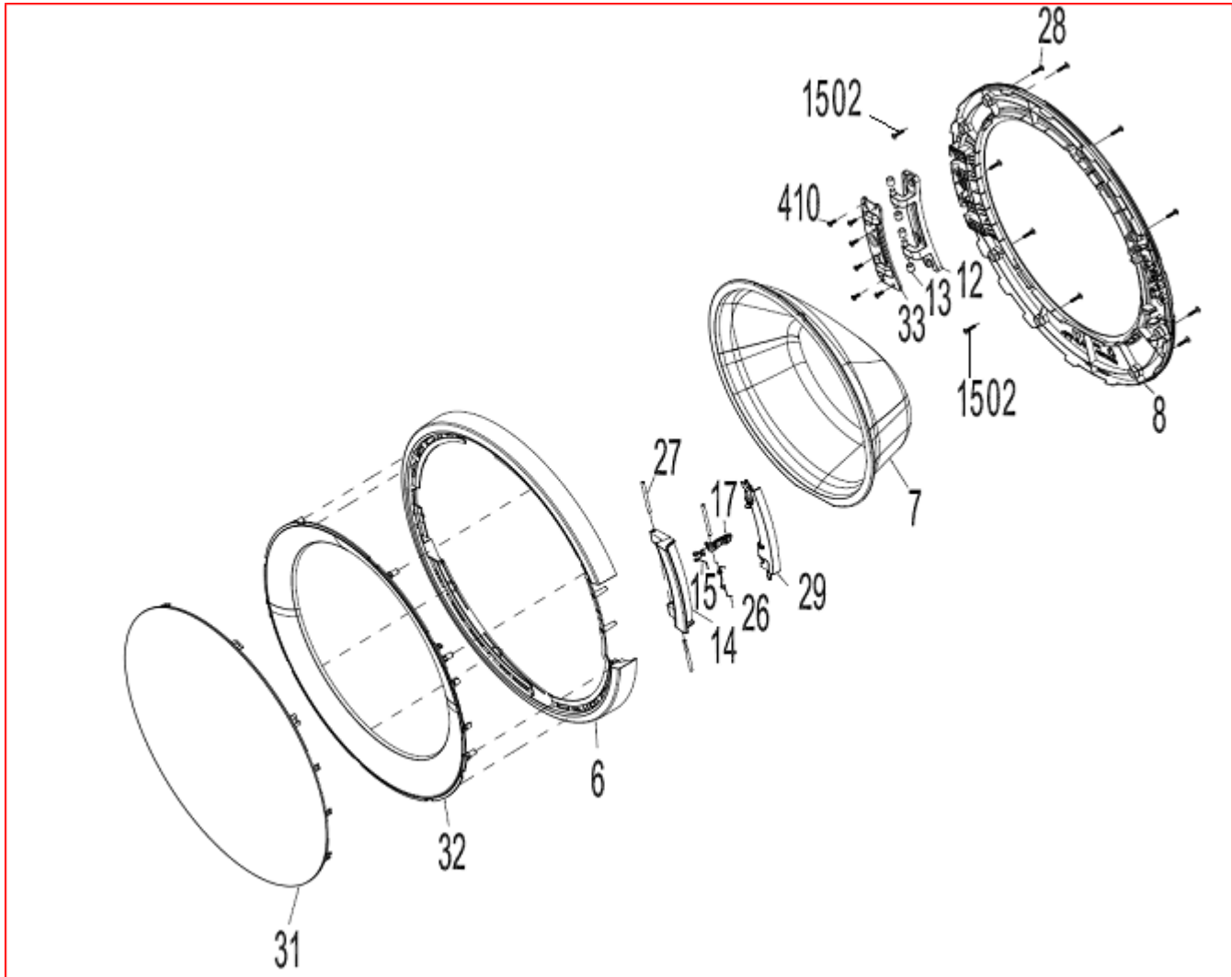


FL PYTHON TJ EXPLODED VIEW

| REF. NO | PART NAME | QTY |
|---------|---|-----|
| 20 | WATER ENTRY HOSE GROUP | 1 |
| 24 | UPPER SUPPORT BRACKET | 1 |
| 285 | PUMP GROUP | 1 |
| 220 | DRAIN HOSE ROUTER PLASTIC | 1 |
| 219 | DRAIN HOSE | 1 |
| 225 | ELECTRONIC PRESSURE SENSOR | 1 |
| 215 | EMI FILTER | 1 |
| 296 | CABLE GR | 1 |
| 249 | CABLE HARNESS | 1 |
| 250 | CABLE HARNESS HOLDER PLS | 1 |
| 331 | LOCKING WIRE SADDLE (BLUE) | 1 |
| 895 | SPRONG HANGER BRACKET GROUP | 1 |
| 800 | TUB SPRING | 2 |
| 231 | SPRING HANGER BRACKET | 1 |
| 221 | HANGER SPRING BRACKET PLS. | 2 |
| 700 | TUB HANGER SPRING PART (PLASTIC HOUSING PART BETWEEN TUB AND SPRING HOOK) | 2 |
| 235 | DRAIN HOSE HOLDING PLS | 4 |
| 239 | POWER CORD GROUP | 1 |
| 222 | PRESSURE SWITCH MOUNTING CLIP | 1 |
| 238 | SPEED CONTROL HOLE STOPPER | 1 |
| 290 | TRANSPORT SCREW GROUP-II | 4 |
| 242 | TRANSPORT SCREW PLASTIC-A-II | 4 |
| 243 | TRANSPORT SCREW PLASTIC-B-II | 4 |
| 240 | TRANSPORT SCREW | 4 |
| 245 | TRANSPORT SCREW EPDM | 4 |
| 241 | PLAIN WASHER 8,30X29X2 | 4 |
| 132 | CABLE TIE(YKB150) | 7 |
| 918 | PUMP FILTER | 1 |
| 919 | HOSE CLAMP Ø8,6 | 1 |
| 920 | FRONT PANEL DROP FIXING PLASTIC-II | 4 |
| 990 | DC CARD GROUP | 1 |
| 1503 | ST 4,2X9,5 PAN HEAD W.COL.T.UNDER.SER.EA | 2 |
| 1504 | ISO 7049 ST 4,2X13 TORX | 4 |
| 1505 | ST 4,2X9,5 TRTSB | 4 |

FL PYTHON TJ EXPLODED VIEW

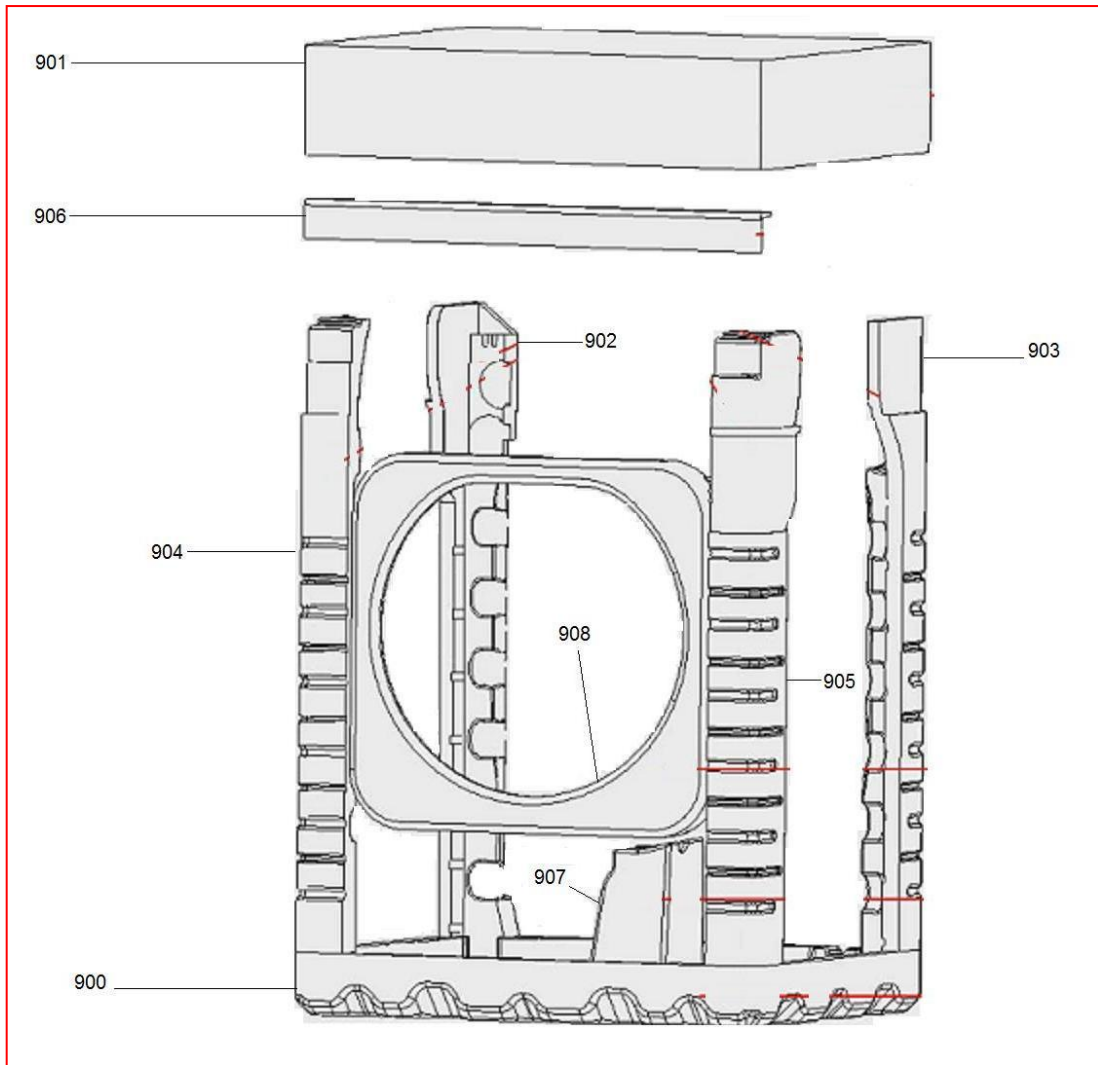
DOOR GROUP



| NO | PART NAME | QUANTITY |
|------|---|----------|
| 6 | OUTER DOOR PLASTIC | 1 |
| 7 | DOOR GLASS | 1 |
| 8 | INNER DOOR PLASTIC | 1 |
| 12 | HINGE | 1 |
| 13 | HINGE BUSH | 4 |
| 14 | DOOR HANDLE | 1 |
| 15 | HOOK SPRING | 1 |
| 26 | HANDLE SPRING | 1 |
| 27 | HANDLE PIN | 3 |
| 28 | SCREW 3,5X16 PAN HEAD WITH COLLAR UNDER HEAD SERRATED | 9 |
| 29 | OUTER DOOR PLASTIC INSERT PART | 1 |
| 31 | FRONT DOOR COVER | 1 |
| 32 | OUTER DOOR PLASTIC INNER FRAME | 1 |
| 33 | DOOR HINGE SUPPORT SHEET | 1 |
| 410 | SCREW 4X12 PAN HEAD WITH COLLAR UNDER HEAD SERRATED | 6 |
| 1502 | SCREW M5X8 TSB | 2 |
| 50 | PORTHOLE GROUP (all parts) | 1 |

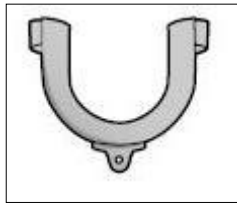
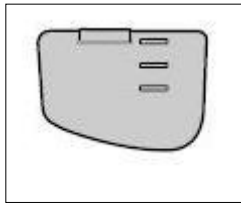
FL PYTHON TJ EXPLODED VIEW

PACKAGING GROUP



| NO | PART NAME | QUANTITY |
|-----|-------------------------|----------|
| 900 | BOTTOM STYROFOAM | 2 |
| 901 | TOP CARTON | 1 |
| 902 | REAR STYROFOAM(LEFT) | 1 |
| 903 | REAR STYROFOAM(RIGHT) | 1 |
| 904 | FRONT STYROFOAM LEFT | 1 |
| 905 | FRONT STYROFOAM RIGHT | 1 |
| 906 | CORNER CARDBOARD | 1 |
| 907 | TUB SUPPORT STYROFOAM | 1 |
| 908 | PORTHOLE PRO. STYROFOAM | 1 |

ACCESSORIES



995

996

997

998

| NO | PART NAME | QUANTITY |
|-----|------------------------------|----------|
| 995 | ENERGY LABEL | 1 |
| 996 | LIQUID DETERGENT LEVEL PLATE | 1 |
| 997 | DRAIN HOSE COAT RACK | 1 |
| 998 | TRANSPORT SCREW STOPPER | 4 |