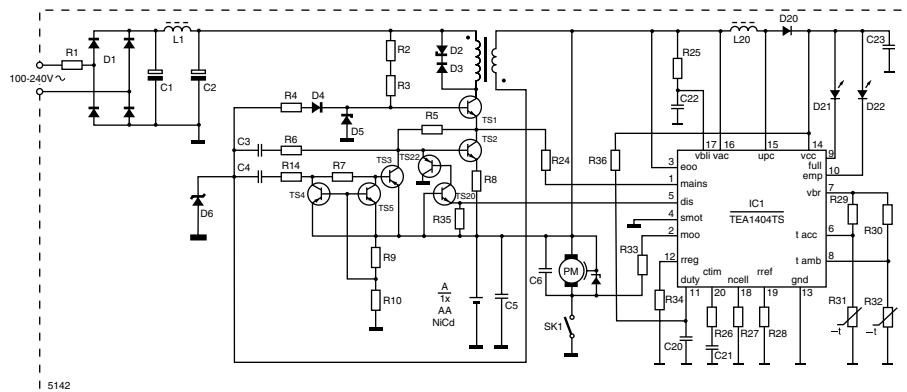




Philips Domestic Appliances and Personal Care

Service Manual



GENERAL

The HQ 386 shaver can be recharged in 1 hour by means of a 'Fly Back Self Oscillating Power supply'. This electronic circuit enables the battery to be charged at 100-240V, 50/60 Hz.

It is possible to have a shave directly from the mains. The green LED comes on when the shaver is connected to the mains and will blink to indicate that the battery is fully charged.

When the battery is almost empty, the red LED starts blinking.

The electronic circuit incorporates the following functions and controls:

- a 700 mA Quick Charge supply
- a 30 mA Trickle Charge supply
- a 1.25V Dynamic supply when shaving from the mains.
- an open cell protection.
- an inrush and surge protection (R1).
- a temperature protection of the battery. (if $T_{bat} - T_{amb} > 5^{\circ}\text{C}$ or if $T_{bat} > 65^{\circ}\text{C}$, charging will switch-over from quick charge to trickle charge).

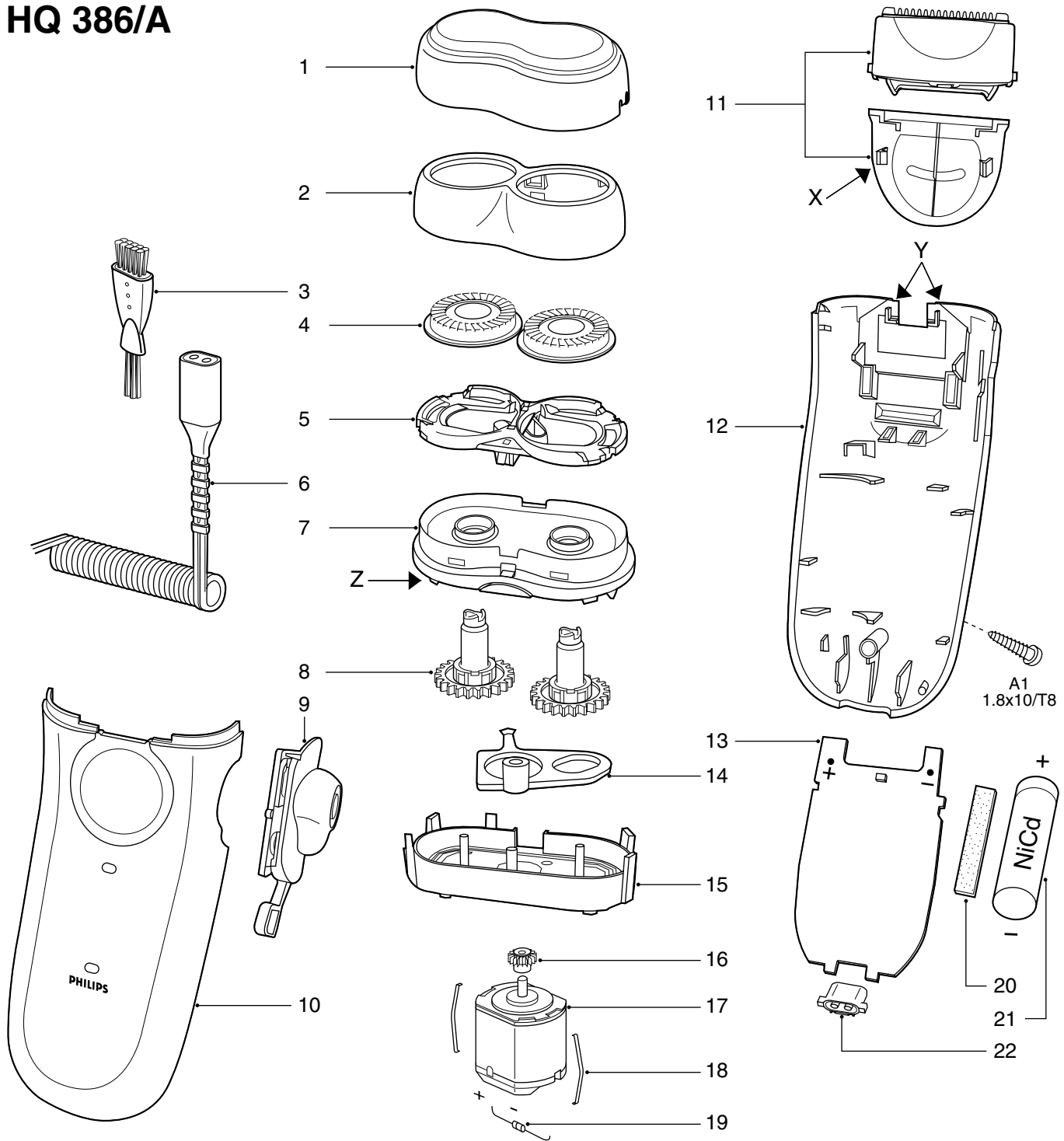
TECHNICAL DATA

Input voltage	: 100-240V ~
Motor voltage	: 1.2V $\overline{\text{---}}$
Battery	: 1 x AA NiCd
Cell capacity	: approx. 700 mAh
Charging system	: S.O.P.S./ timer- temp. control
Charging time	: approx. 60 mins initial 4 hours

Charging current	: 700/30 mA
Charge indicator	: 1 x LED green
Battery low indicator	: 1 x LED red
Comfort control	: fixed setting
Shaving heads	: HQ3 - 4822 690 30471
Screwdriver T8	: 4822 395 50263

SAP Coding : HQ386

HQ 386/A



1	4222 036 01330	Protection cap	10	4222 036 04550	Housing
2	4222 036 01340	Head housing	11	4222 036 01390	Trimmer
3	4222 036 02770	Cleaning brush	12	4222 036 04560	Cover
4	4822 690 30471	HQ3 shaving head	13	4222 036 04540	Power module
5	4222 036 02780	Head holder	14	4222 036 01380	Lever
6	4822 321 10095	Flex EU	15	4222 036 01420	Frame
-	4822 321 10096	Flex GB	16	4822 522 33547	Pinion
-	4222 036 01590	Flex RA	17	4822 361 21752	Motor 1.2V
-	4822 321 10344	Flex USA/CDN	18	4822 492 63165	Motor clamp
-	4822 321 10148	Flex AUS/NZ	19	4822 130 34167	Zener diode
-	4222 036 02220	Flex CN	20	4822 466 91312	Foam plate
-	4222 036 02480	Flex ROK	21	4822 138 10633	NiCd cell AA
7	4222 036 01360	Hairchamber	22	4222 036 03080	Inlet
8	4222 036 01560	Gearwheel	A	4822 502 30526	s.t. screw 1.8x10/T8
9	4222 036 01300	On/off knob		4222 036 04570	Case