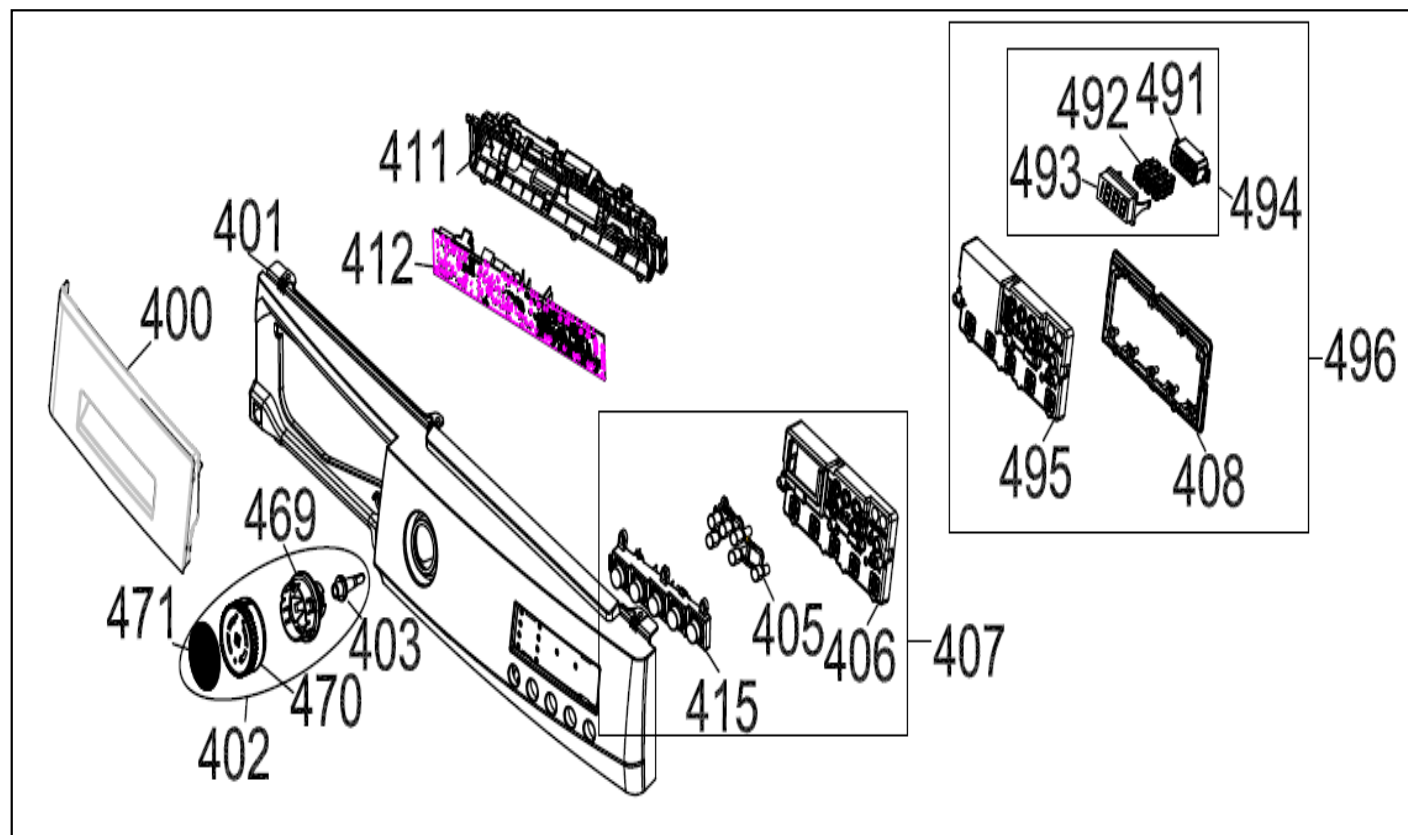


TITANIA F4 PYTHON EXPLODED VIEW

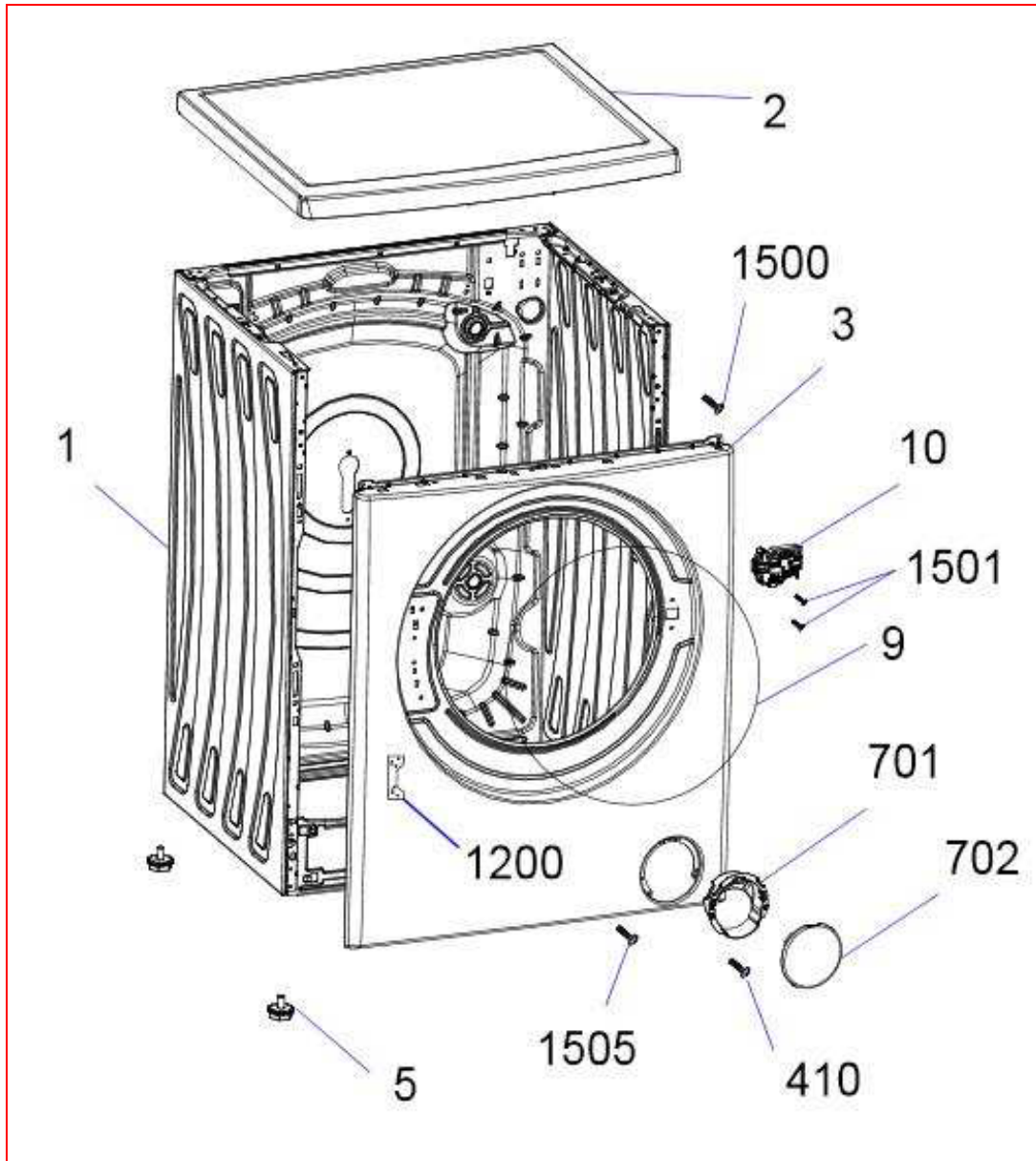
CONTROL PANEL PARTS



NO	PART NAME	QUANTITY
400	DETERGENT DRAWER COVER	1
401	CONTROL PANEL	1
402	PR. ADJUSTMENT KNOB GR (470+471)	1
403	PROGRAMME ADJUSTMENT SHAFT	1
405	LIGHT GUIDE DUO	1
406	CARD BOX	1
407	F4 BUTTON-LIGHT GUIDE GROUP	1
408	CARD FRAME	1
411	PCB BOX	1
412	ELECTRONIC CARD-W.FOIL	1
415	TRIPLE SELECTION BUTTON	1
469	PROGRAM ADJ. INSERT	1
470	PROGRAM ADJ. KNOB	1
471	PROGRAM ADJ. KNOB COVER	1
491	DISPLAY 1888 BASE	1
492	DISPLAY 1888 LIGHT GUIDE	1
493	DISPLAY 888 COVER/PARDUS	1
494	DISPLAY 1888 GROUP	1
495	E.KART F4 UI 7S + Buzzer DISPLAY	1
496	F4,CARD GR.	1
500	CONTROL PANEL GROUP (indicated for the website)	1

TITANIA F4 PYTHON EXPLODED VIEW

FRONT PANEL PARTS



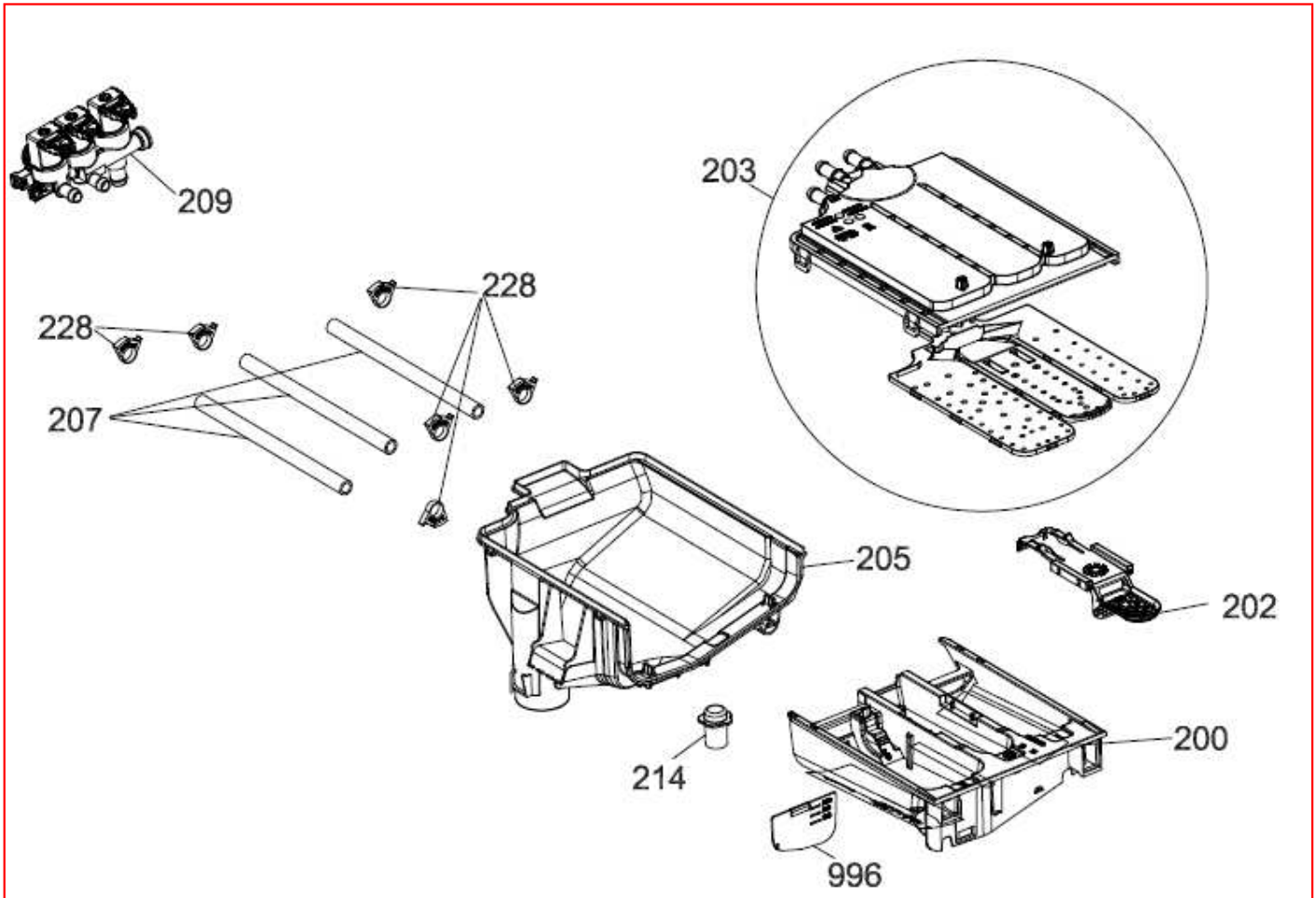
NO	PART NAME	QUANTITY
1	BODY GROUP PAINTED	1
2	UPPER TRAY GROUP	1
3	FRONT PANEL GROUP	1
5	ADJUSTABLE FEET	4
9	BODY-GASKET CLAMP	1
10	DOOR LOCK	1
701	PUMP COVER HOUSING	1
702	PUMP COVER	1
1200	HINGE SUPPORT SHEET-III	1
1500	ST 4,8X9,5 PAN HE.WITH COL.TORX UN.SER.E	4
1501	ISO 7049 ST 4,2X16 TORX	2
1505	ST 4,2X9,5 TRTSB	4
410	SCREW 4X12 TORX PAN HE.W.COL.UND.HE.SER.	1

TITANIA F4 PYTHON EXPLODED VIEW

REF. NO	PART NAME	QTY
103	REAR TUB GROUP	1
117	FRONT TUB	1
160	DRUM GROUP	1
102	MOTOR	1
113	TUB SEAL	1
101	DRIVEN PULLEY	1
100	BELT	1
122	SCREW FIXING MOTOR-REAR TUB ASSY. (COUNTERSUNK HEAD BOLT 8X28 TORX)	4
206	TUB ENTERANCE WITH BELLOW HOSE	1
118	TUB BELLOWS SEAL	1
126	BOLT FIXING FRONT TUB-REAR TUB ASSY. (HEXAGON HEAD BOLT 6X30 PT)	19
805	HEXAGON HEAD BOLT 10 X 52	4
810	WASHER USED AT COUNTERWEIGHT-TUB ASSYS. (CONICAL SPRING WASHER 8.4X18X2 (DIN 6796) (SAFETY))	6
105	SHOCK ABSORBER PIN	4
119	TUB GASKET CLIP	1
120	FRONT CONCRETE WEIGHT	1
121	RESISTANCE GR	1
999	NTC	1
899	RESISTANCE WITHOUT NTC	1
115	RESISTANCE FIXING WIRE	1
104	SHOCK ABSORBER	2
213	TUB EXIT BELLOW HOSE WITH BALL	1
124	BOLT FIXING DRIVEN PULLEY-DRUM SHAFT ASSY. (37020184 SCREW M8x29 THB)	1
808	MUSHROOM HEAD SQUARE NECK BOLT M 8X65	2
806	PLAIN WASHER 8,4X28X3	2
811	UPPER COUNTERWEIGHT BOLT SUPPORT SHEET	2
812	NUT FIXING UPPER COUNTERWITGHT-TUB ASSY. (HEX.NUT WITH FLANGE SERRATED M8 DIN6923)	2
813	PLASTIC LIFTER	3
112	UPPER CONCRETE WEIGHT	1
816	RESISTANCE PROTECTION FOIL-1-C	1
817	SCREW FIXING RES. PROT. FOIL-TUB ASSY. (SCREW 3,5X7PAN HEAD WITH COLAR CROSS RE.)	2
898	PSW HOSE MOUNTING RUBBER-10MM	1
1400	SCREWED HOSE CLAMP Ø65	1
1401	SPRING TYPE BANT CLAMP	1
1402	HOSE CLAMP SCREW TYPE Ø72	1
1403	HOSE CLAMP Ø38,8	1
1507	WASHER USED TO FIX FRONT COUNTERWEIGHT (PLAIN WASHER 10,5X40X2,5)	4

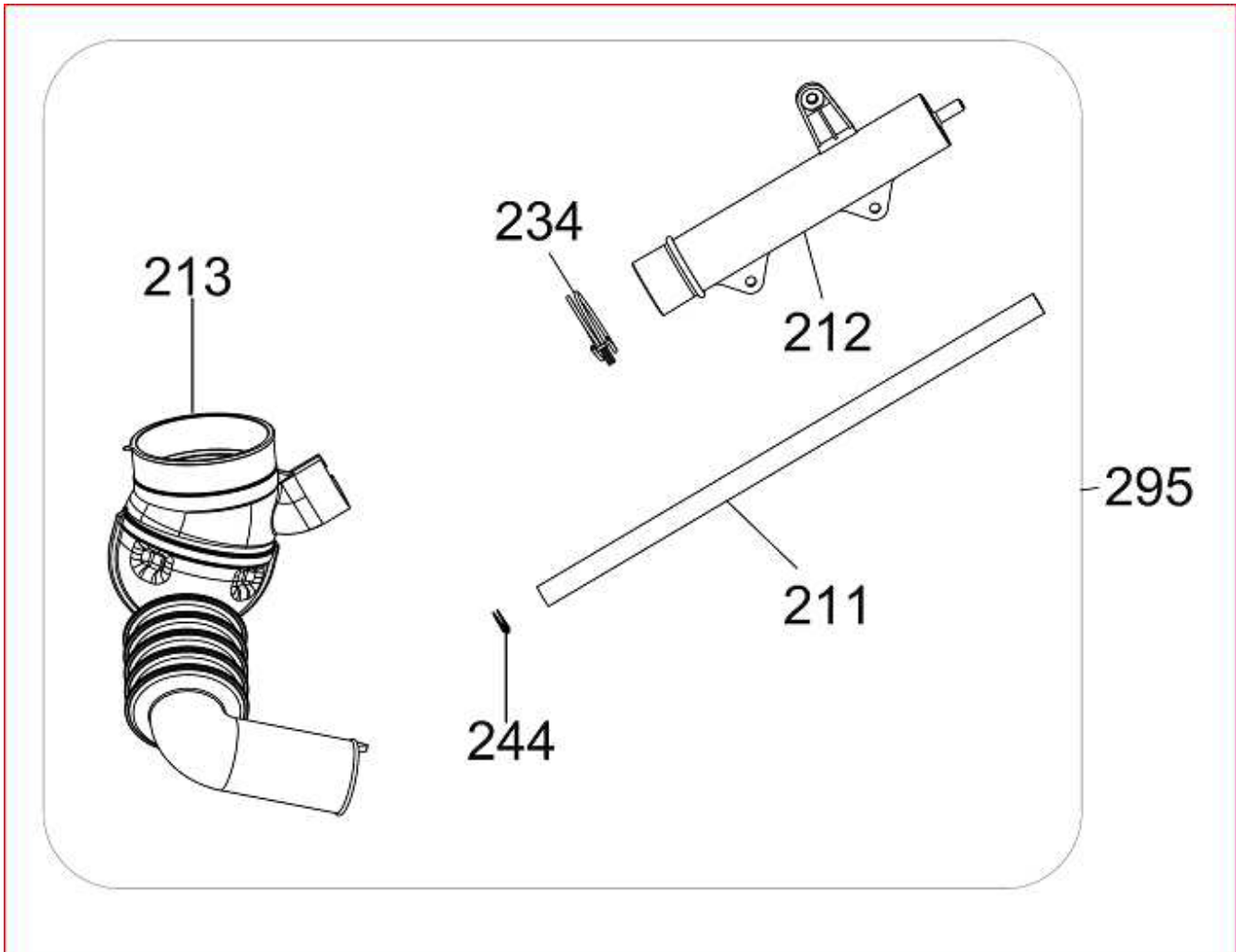
TITANIA F4 PYTHON EXPLODED VIEW

DETERGENT DRAWER GROUP



NO	PART NAME	QUANTITY
200	DETERGENT DRAWER	1
202	SIPHON COVER	1
203	WATER DISTRIBUTION PLATE GROUP	1
205	DETERGENT DRAWER HOUSING	1
207	VALVE-DETERGENT BOX HOSE	1
209	VALVE(TWO EXIT)	1
214	DETERGENT DRAWER LOCKING PART	1
228	PLASTIC HOSE CLAMP	6
996	LIQUID DETERGENT LEVEL PLATE	1

PRESSURE SWITCH HOSE GROUP

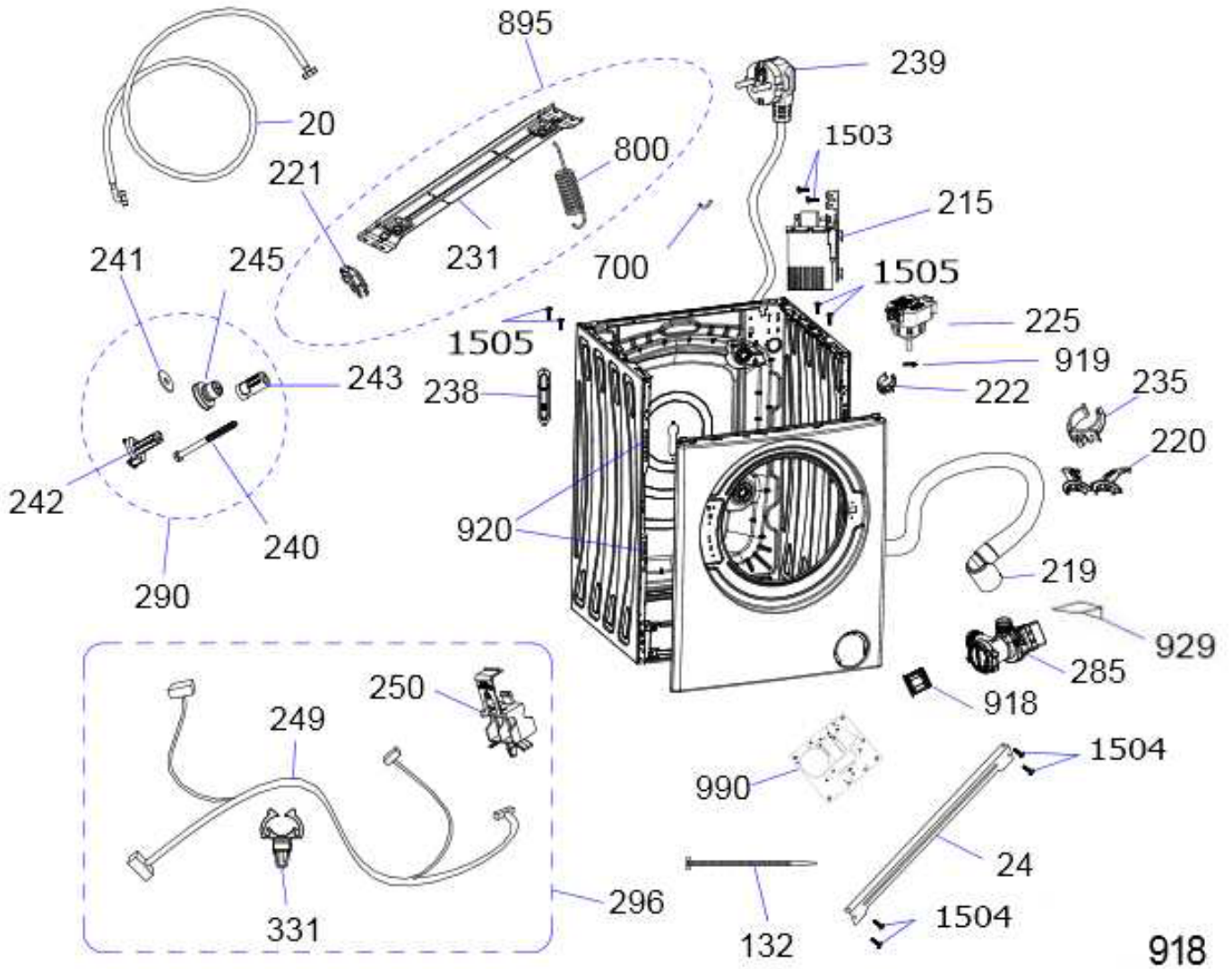


NO	PART NAME	QUANTITY
213	TUB EXIT WITH BELLOW HOSE	1
212	PRESSURE SWITCH WATER RESERVOIR	1
211	PRESSURE SWITCH HOSE	1
234	HOSE CLAMP Ø32,7	1
244	HOSE CLAMP Ø9,6	1
295	PRESSURE SWITCH HOSE GROUP	1

213-212-211-234-244----- PRESSURE SWITCH HOSE GROUP

TITANIA F4 PYTHON EXPLODED VIEW

BODY GROUP PARTS

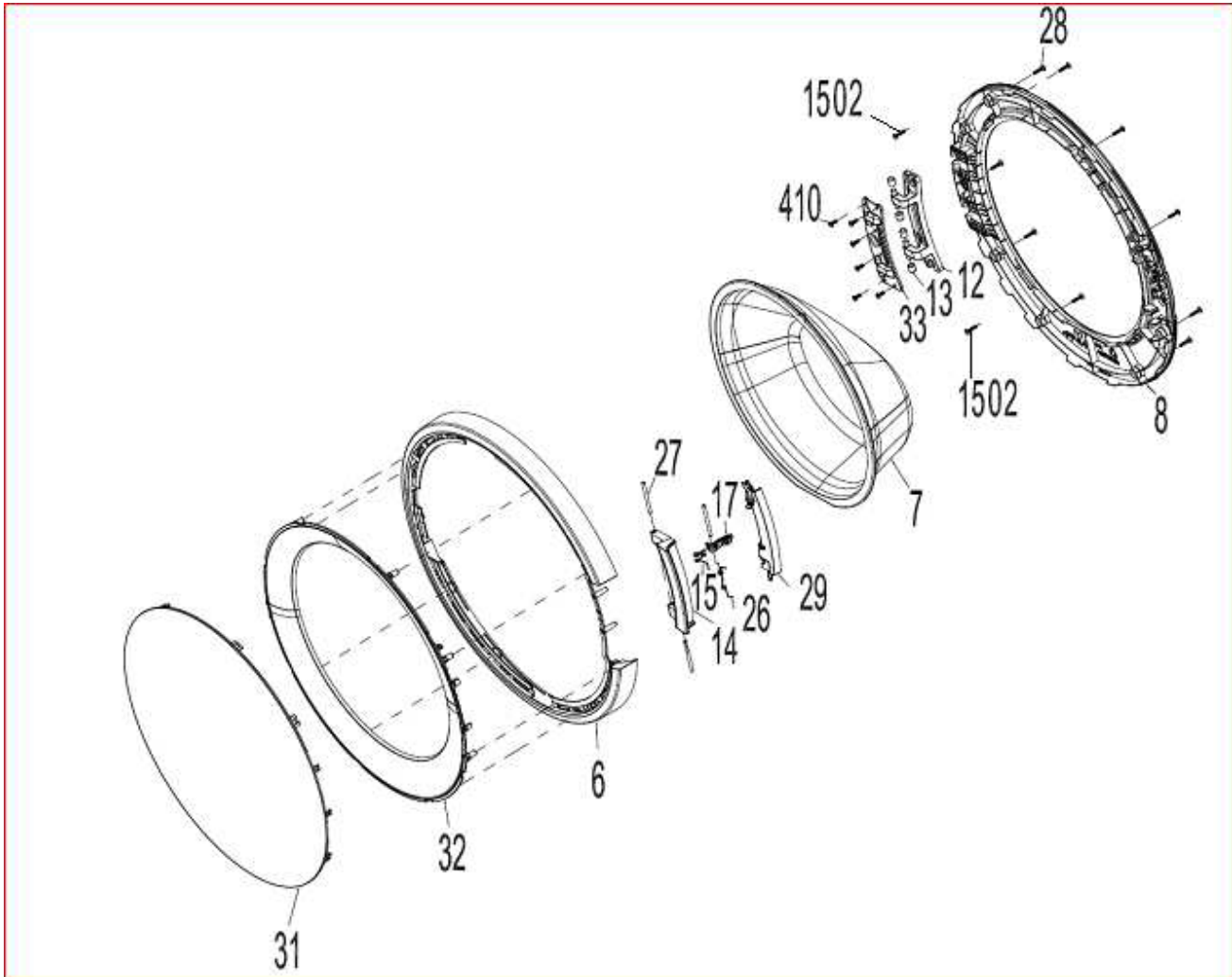


	TITANIA F4 PYTHON EXPLODED VIEW
--	---------------------------------

REF. NO	PART NAME	QTY
20	WATER ENTRY HOSE GROUP	1
285	PUMP GROUP	1
220	DRAIN HOSE ROUTER PLASTIC	1
219	DRAIN HOSE	1
225	ELECTRONIC PRESSURE SENSOR	1
215	EMI FILTER	1
296	CABLE GR	1
249	CABLE HARNESS	1
250	CABLE HARNESS HOLDER PLS	1
251	CABLE HOLDER AND ROUTER PLASTIC	1
331	LOCKING WIRE SADDLE (BLUE)	1
895	SPRONG HANGER BRACKET GROUP	1
800	TUB SPRING	2
231	SPRING HANGER BRACKET	1
221	HANGER SPRING BRACKET PLS.	2
700	TUB HANGER SPRING PART (PLASTIC HOUSING PART BETWEEN TUB AND SPRING HOOK)	2
235	DRAIN HOSE HOLDING PLS	4
239	POWER CORD GROUP	1
222	PRESSURE SWITCH MOUNTING CLIP	1
238	SPEED CONTROL HOLE STOPPER	1
290	TRANSPORT SCREW GROUP-II	4
242	TRANSPORT SCREW PLASTIC-A-II	4
243	TRANSPORT SCREW PLASTIC-B-II	4
240	TRANSPORT SCREW	4
245	TRANSPORT SCREW EPDM	4
241	PLAIN WASHER 8,30X29X2	4
132	CABLE TIE(YKB150)	7
918	PUMP FILTER	1
919	HOSE CLAMP Ø8,6	1
920	FRONT PANEL DROP FIXING PLASTIC-II	4
929	DRAIN PUMP PROTECTION FOIL (optional)	1
990	DC CARD GROUP (optional)	1
1503	ST 4,2X9,5 PAN HEAD W.COL.T.UNDER.SER.EA	2
1504	ISO 7049 ST 4,2X13 TORX	4
1505	ST 4,2X9,5 TRTSB	4

TITANIA F4 PYTHON EXPLODED VIEW

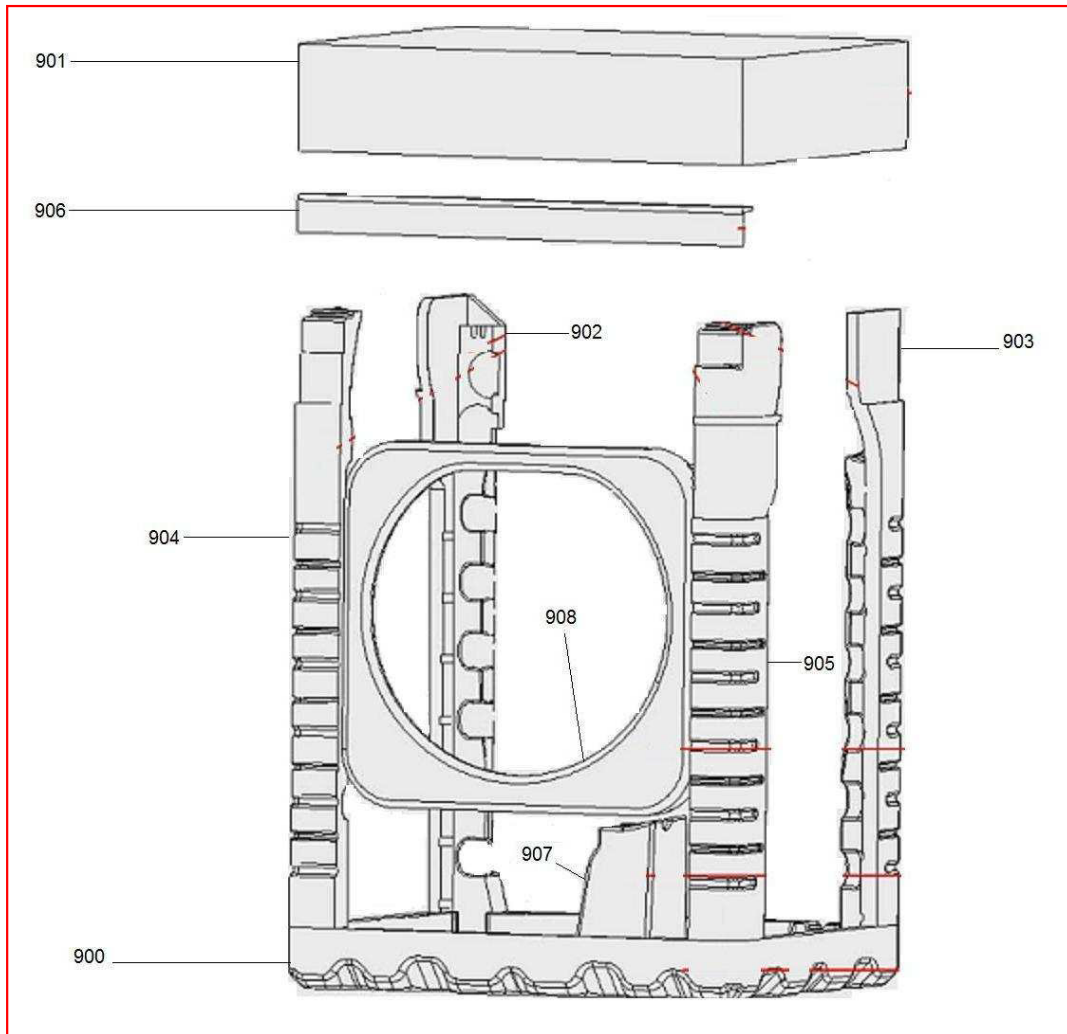
DOOR GROUP



NO	PART NAME	QUANTITY
6	OUTER DOOR PLASTIC	1
7	DOOR GLASS	1
8	INNER DOOR PLASTIC	1
12	HINGE	1
13	HINGE BUSH	4
14	DOOR HANDLE	1
15	HOOK SPRING	1
26	HANDLE SPRING	1
27	HANDLE PIN	3
28	SCREW 3,5X16 PAN HEAD WITH COLLAR UNDER HEAD SERRATED	9
29	OUTER DOOR PLASTIC INSERT PART	1
31	FRONT DOOR COVER	1
32	OUTER DOOR PLASTIC INNER FRAME	1
33	DOOR HINGE SUPPORT SHEET	1
410	SCREW 4X12 PAN HEAD WITH COLLAR UNDER HEAD SERRATED	6
1502	SCREW M5X8 TSB	2
50	PORTHOLE GROUP (all parts)	1

TITANIA F4 PYTHON EXPLODED VIEW

PACKAGING GROUP



NO	PART NAME	QUANTITY
900	BOTTOM STYROFOAM	2
901	TOP CARTON	1
902	REAR STYROFOAM(LEFT)	1
903	REAR STYROFOAM(RIGHT)	1
904	FRONT STYROFOAM LEFT	1
905	FRONT STYROFOAM RIGHT	1
906	CORNER CARDBOARD	1
907	TUB SUPPORT STYROFOAM	1
908	PORTHOLE PRO. STYROFOAM	1

ACCESSORIES

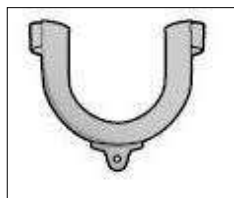
TITANIA F4 PYTHON EXPLODED VIEW



995



996



997



998

NO	PART NAME	QUANTITY
995	ENERGY LABEL	1
996	LIQUID DETERGENT LEVEL PLATE	1
997	DRAIN HOSE COAT RACK	1
998	TRANSPORT SCREW STOPPER	4